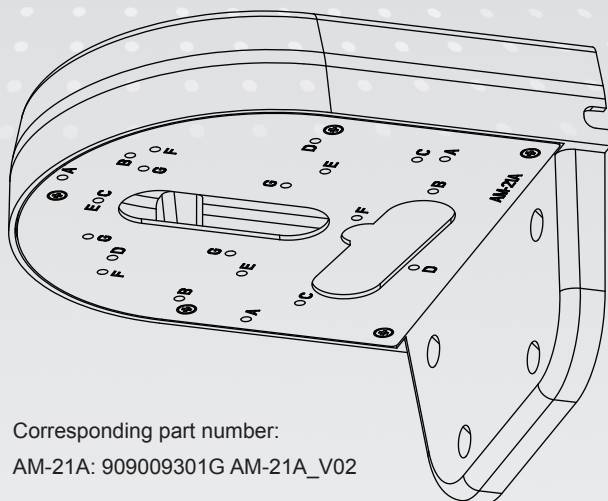


# VIVOTEK Fixed Dome Series Wall-mount Bracket

## Installation Guide

Using AM-21A wall-mount bracket  
and compatible accessories



Corresponding part number:  
AM-21A: 909009301G AM-21A\_V02

Rev. 1.1

## Revision History:

\* Rev. 1.0: Initial Release

\* Rev. 1.1: Added supported models and one more routing hole is added.

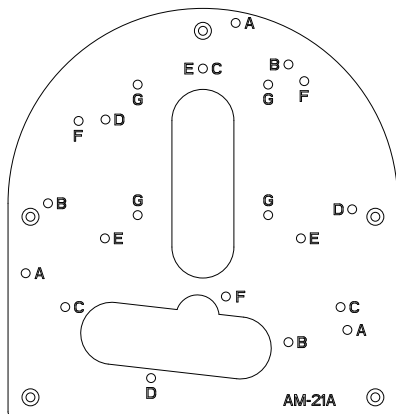
## I Compatible VIVOTEK Cameras

FD8167A, FD8169A, FD8177-H, FD8179-H, FD9171-HT, FD9181-HT, FD9165-HT, FD9167-H(T), FD8177-HT, FD9187-H(T)V, FD9189-H(M)(T), FD8367A, FD8369A, FD8377-HV, FD8379-HV, FD9371-(E)HTV, FD9381-(E)HTV, FD9365-(E)HTV, FD9365-HTVL, FD9367-(E)H(T)V, FD8377-(E)HTV, FD9391-EHTV, FD9387-(E)H(T)V, FD9389-(E)H(M)(T)V, FD9360-H, IT9360-H, FD9368-HTV, FD9380-H, IT9380-H, FD9388-HTV, IT9388-HT

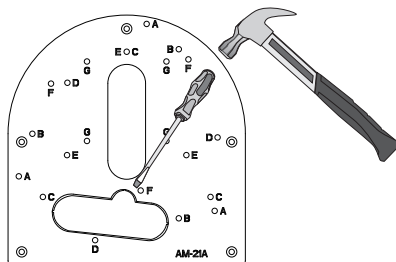
You may also refer to VIVOTEK's website for the list of supported models. Support for other models can be available through time.

## II Installation

### Mounting Hole Definitions



NOTE: You may need tools like hammer, chisel, or a flat-bade screwdriver to remove the knock-out tab on the secondary routing hole.





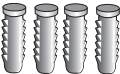
Above are the locations of different groups of mounting holes for matching different cameras:

Hole Type	Applicable Cameras	Screw	No. of screws
<b>A</b>	FD9371-(E)HTV, FD9381-(E)HTV, FD9365-(E)HTV, FD9365-HTVL, FD9367-(E)H(T)V, FD8377-(E)HTV, FD9391-EHTV, FD9387-(E)H(T)V		
<b>B</b>	FD9171-HT, FD9181-HT, FD9165-HT, FD9167-H(T), FD8177-HT, FD9187-H(T)V	M4X10	3
<b>C</b>	FD8367A, FD8369A, FD8377-HV, FD8379-HV, FD9389-(E)H(M)(T)V, FD9368-HTV, FD9388-HTV		
<b>D</b>	FD8167A, FD8169A, FD8177-H, FD8179-H, FD9189-H(M)(T)		

Hole Type	Applicable Cameras	Screw	No. of screws
<b>E</b>	IT9388-HT	<b>M4x10</b>	3
<b>F</b>	FD9360-H, FD9380-H		
<b>G</b>	IT9360-H, IT9380-H		4

For cabling and configuration details with each network camera, please refer to their documentation.

Refer to the table below for the description of the included screws:

Screw Description	Quantity	Applies to	
M4X10 Phillips pan head	4	All camera mounting holes	
M4X25XD9 Phillips pan head	4	Securing the bracket to wall	
Plastic anchors	4	Securing the bracket to wall	



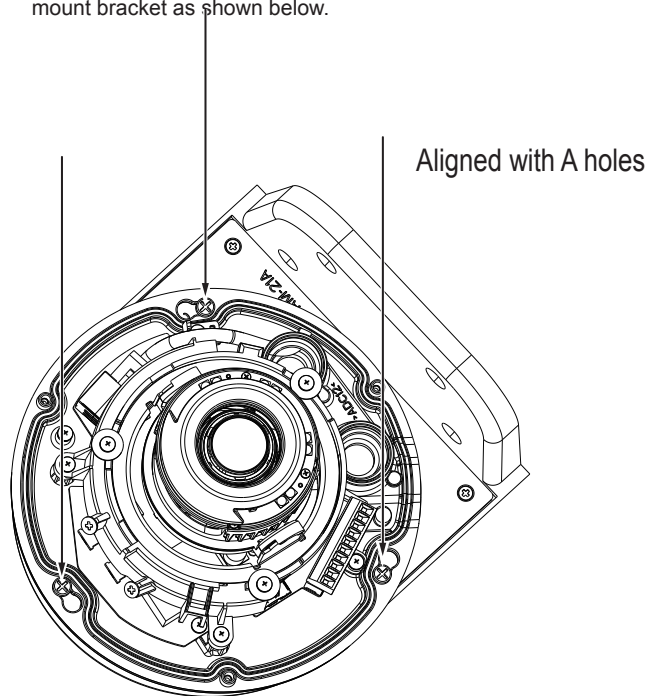
#### NOTE:

1. It is presumed that this wall-mount bracket is installed with a hole drilled on the wall for routing power lines, DI/DO, and Ethernet cables.
2. Route cables before you secure the wall-mount bracket to a wall.
3. For details on the cable connections with each camera, please refer to their Quick Installation Guide.

## Wall Mount Installation - FD9371-(E)HTV, FD9381-(E)HTV, FD9365-(E)HTV, FD9365-HTVL, FD9367-(E)H(T)V, FD8377-(E)HTV, FD9391-EHTV, FD9387-(E)H(T)V

Below is a general, sample procedure using a wall mount bracket:

1. Locate the position where you want to install the wall mount bracket and camera. Drill holes on the wall for securing the bracket and for routing the cables.
2. Secure the bracket by hammering anchors into the wall and then fasten screws through the four mounting holes on the bracket.
3. Route power lines and other cables through the wall and the bracket.
4. Remove the waterproof connectors from the camera.
5. Align the camera's mounting holes with the A holes. Secure the camera to the wall mount bracket as shown below.

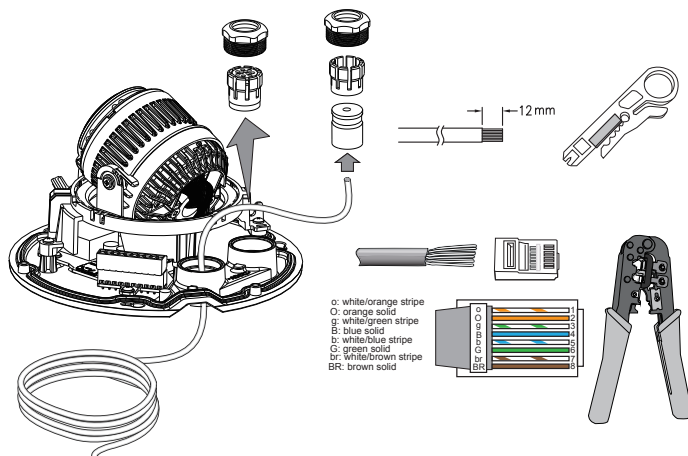


### IMPORTANT!

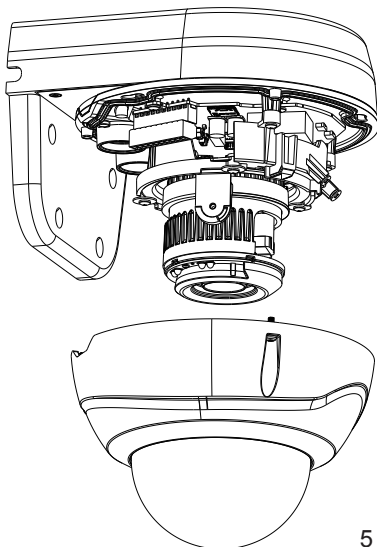
The screws and mounting surface must be able to support a weight of 4 kg.

**NOTE:**

Use the correct type of screws when installing cameras to the mounting cap. Refer to page 3 for the screw type. You will need to pass the cables through the waterproof connectors, and then use a crimping tool to connect the cable wires to an RJ45 connector.



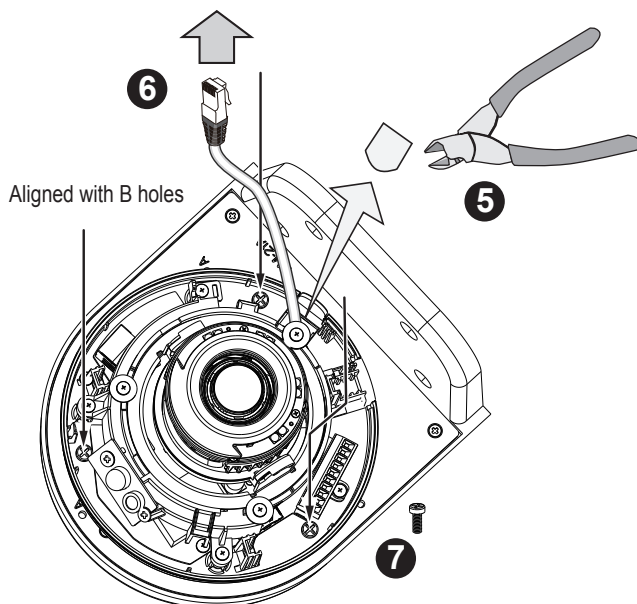
6. Proceed with initial setup such as enabling network access, focus tuning, or zooming. When done, secure the outer dome cover.



## Wall Mount Installation - FD9171-HT, FD9181-HT, FD9165-HT, FD9167-H(T), FD8177-HT, FD9187-H(T)V

Below is a sample procedure using the wall mount bracket and an FD9171:

1. Determine a hard surface wall location, and use the four mounting holes on the wall mount bracket to mark the positions where holes will be drilled to secure the bracket.

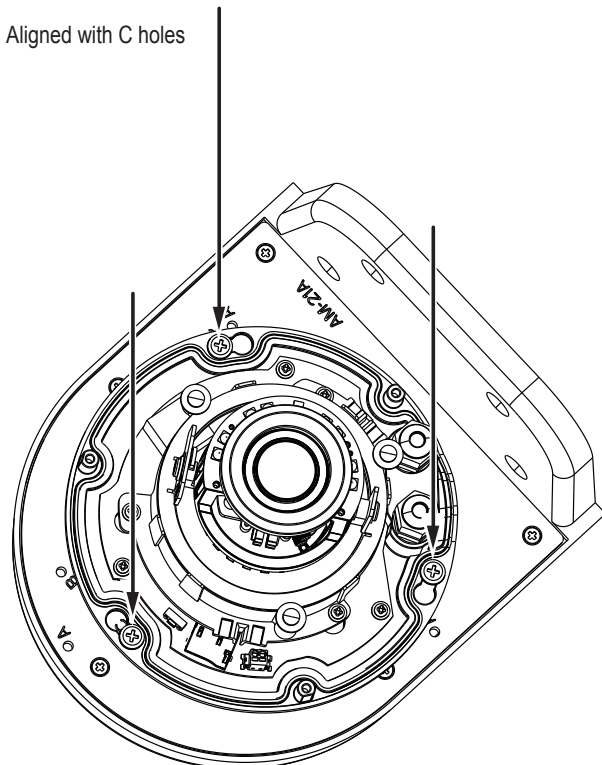


2. Drill holes on the wall for passing cables and for securing the wall mount bracket.
3. Secure the bracket by hammering anchors into the wall and then fasten screws.
4. Route power lines and other cables through the bracket and wall.
5. Use a cutting plier to remove the plastic tab on the pre-cut routing hole.
6. Pass cables through hole.
7. Secure camera to the wall mount bracket using the B holes and M4x10 screws.
8. Proceed with initial setup such as enabling network access, focus tuning, or zooming. When done, secure the outer dome cover.

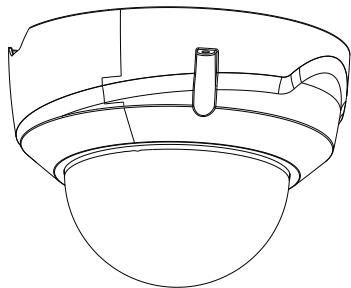
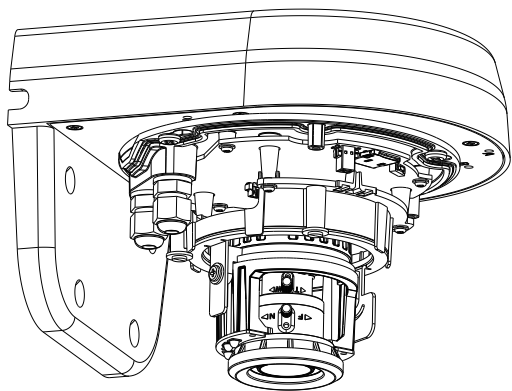
## Wall Mount Installation - FD8367A, FD8369A, FD8377-HV, FD8379-HV, FD9389-(E)H(M)(T)V, FD9368-HTV, FD9388-HTV

Below is a sample procedure using wall mount bracket and an FD8369A:

1. Determine a hard surface wall location, and use the four mounting holes on the bracket to mark the positions where holes will be drilled to secure the bracket.



2. Drill holes on the wall for securing the bracket and for routing cables.
3. Route cables through the wall and bracket.
4. Secure the wall mount bracket to the wall using the included screws and plastic anchors.
5. You will need to pass cables through the waterproof connectors, and then use a crimping tool to connect the cable wires to an RJ45 connector. See page 5.
6. Secure the camera to the bracket using the included screws.
7. Connect power lines and cables to the camera.
8. Proceed with initial setup such as enabling network access, focus tuning, or zooming. When done, secure the outer dome cover.



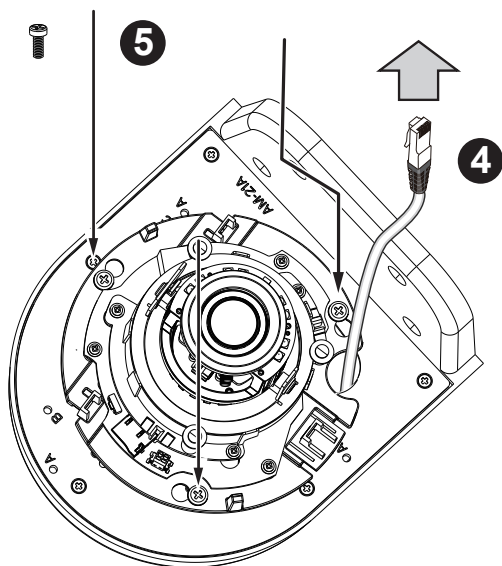


## Wall Mount Installation - FD8167A, FD8169A, FD8177-H, FD8179-H, FD9189-H(M)(T)

Below is a general, sample procedure using a wall mount bracket with the FD8169A camera:

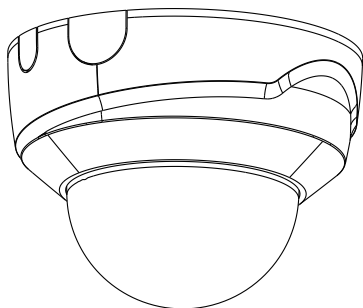
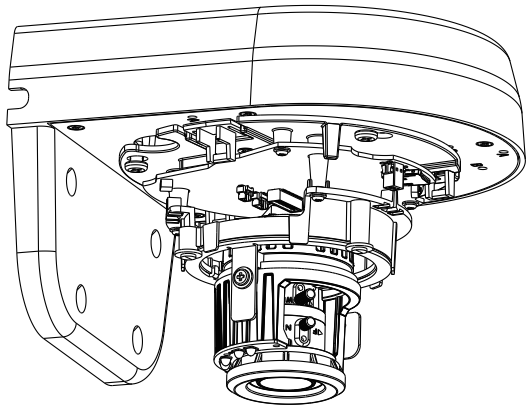
1. Locate the position where you want to install the wall mount bracket and camera. Drill holes on the wall for securing the bracket and for routing cables.
2. You can route cables through the hole in the center of the bracket and the space beneath the camera.
3. Secure the wall mount bracket to the wall using the included plastic anchors and screws.

Aligned with D holes



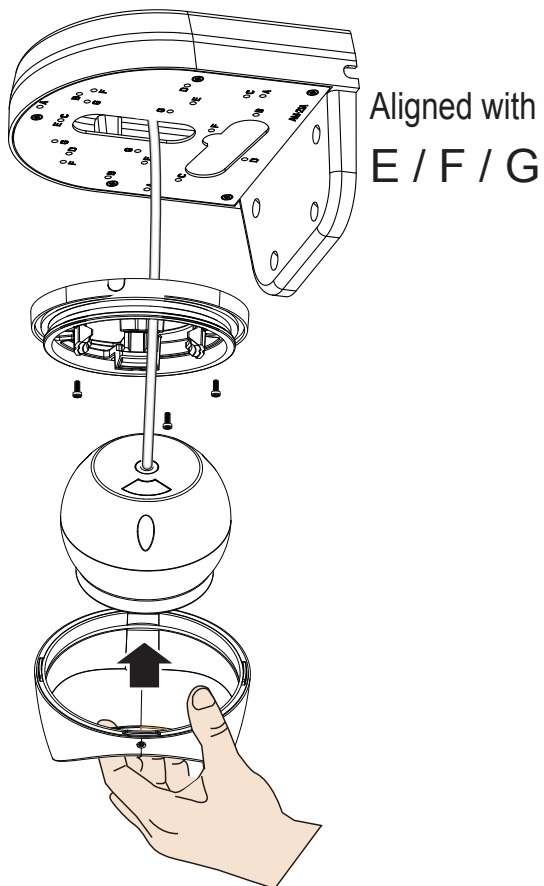
4. Route cables through the crescent cutout on the side of camera.
5. Secure the camera to the bracket using 3 M4X10 screws.
6. Connect cables and you may now begin the initial connection and configuration.

7. Attach dome cover to the camera.



## Wall Mount Installation -

**E:** IT9388-HT; **F:** FD9360-H, FD9380-H; **G:** IT9360-H, IT9380-H



---

---

This page is intentionally left blank.