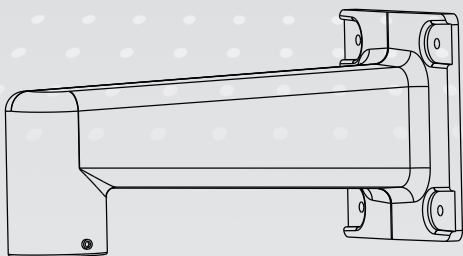


# VIVOTEK Fixed Dome Series Wall-mount Bracket

## Installation Guide

Using AM-218 wall-mount bracket  
and compatible accessories



Corresponding part numbers:

AM-218: 100146101G (v02)

AM-719: 100184500G

AM-520: 900020102G (v03)

AM-525: 100140500G

AM-527: 100140400G

Rev. 1.1

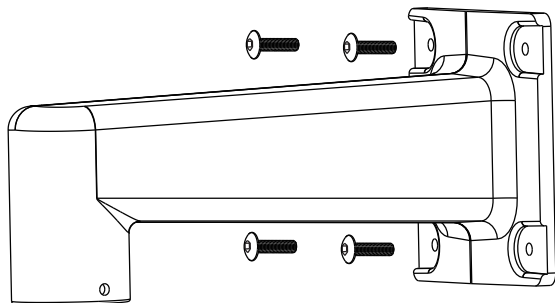
Part no. for this document:  
625035001G

## Revision History:

\* Rev. 1.0: Initial Release

\* Rev. 1.1: Updated the supported model list.

## Package Contents - AM-218



## 1 Compatible VIVOTEK Cameras

For the list of compatible cameras, refer to the table below:

|  |  |
|--|--|
| <b>AM-520</b><br>Fixed Dome series     | FD9171-HT, FD9181-HT, FE8174, FE8174V, FE8181, FE8181V, FE8191, FE8391-V, FE9181-H, FE9182-H, FE9381-EHV, FE9382-EHV, FE9191, FE9391-EV, FE9582-EHNV   |
| Direct installation:<br><b>+AM-525</b> | FD9371-EHTV, FD9371-HTV, FD9381-EHTV, FD9381-HTV, MS8392-EV, FD9365-(E)HTV, FD9365-(E)HTV-A, FD9367-(E)H(T)V, FD8377-(E)HTV, FD9387-(E)H(T)V, FD9387-(E)HTV-A, FD9391-EHTV, FE9380-HV, FE9382-EHV-v2 |
| Direct installation:<br><b>+AM-527</b> | FD9171-HT, FD9181-HT, FD9165-HT, FD9165-HT-A, FD9167-H(T), FD8177-HT, FD9187-H(T), FD9187-HT-A   |
| Direct installation:<br><b>+AM-528</b> | FD9189-H(M)(T), FD9389-(E)H(M)(T)V, FD9368-HTV, FD9388-HTV   |

For details about mounting cameras to the AM-520, AM-525, and AM-527 brackets, refer to their Installation Guides.

For cabling and configuration details with each network camera, please refer to their documentation.

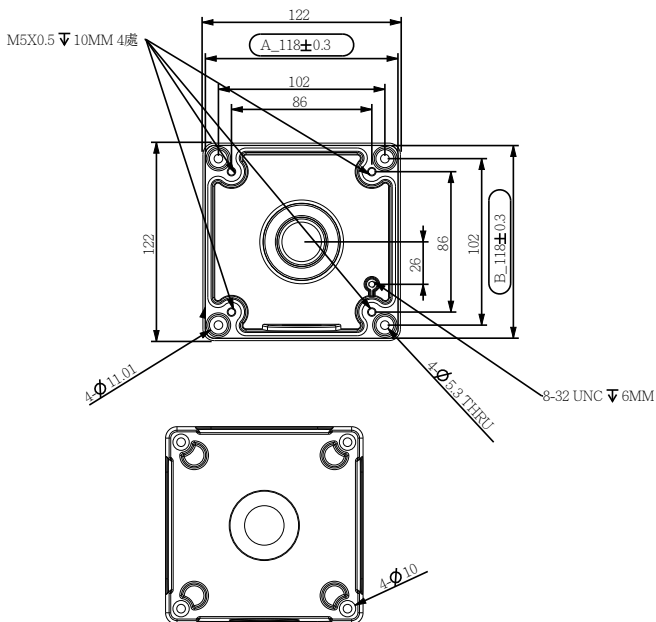
## II Installation



### IMPORTANT:


The AM-218 has to be installed with the AM-719. You should also purchase the AM-719 conduit box and corresponding AM-520, AM-525, and AM-527 adapter.

### Mounting Hole Definitions for AM-719



Refer to the table below for the description of the included screws:

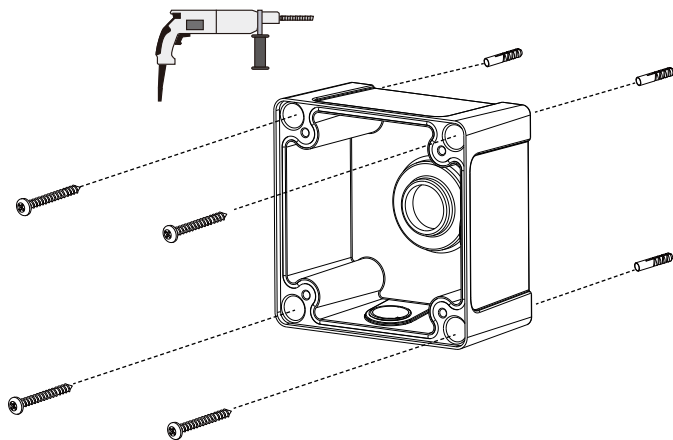
| Screw Description | No. of screws | Material char.                      |
|-------------------|---------------|-------------------------------------|
| M5X14             | 4             | Stainless steel, hex and cross head |

 **NOTE:**

1. It is presumed that this wall-mount bracket is installed with a hole drilled on the wall for routing power lines, DI/DO, and Ethernet cables.
2. Route cables before you secure the wall-mount bracket to a wall.
3. For details on the cable connections with each camera, please refer to their Quick Installation Guide.

## Wall Mount Installation

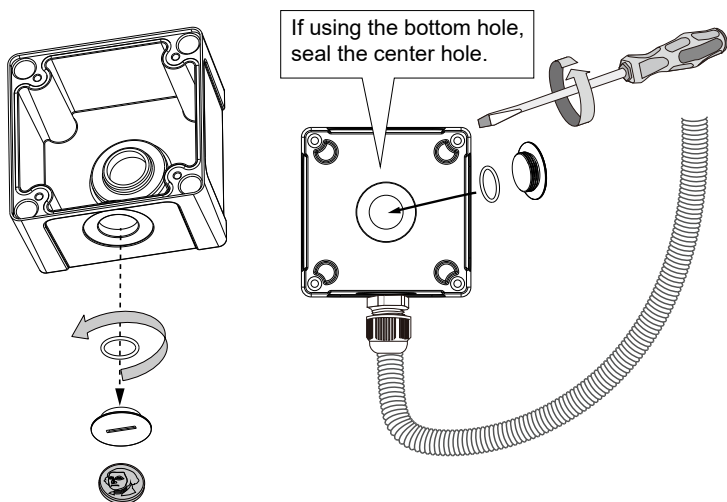
Use the included alignment sticker on a preferred position. Drill holes on the wall and install the junction box. If space behind the wall allows, you may also pass cables through the wall. Note that an NPT pipe is still recommended if the connection goes through a wall. Make sure water can not enter the drilled hole. Use silicon or caulk the drilled hole to prevent water leakage. .



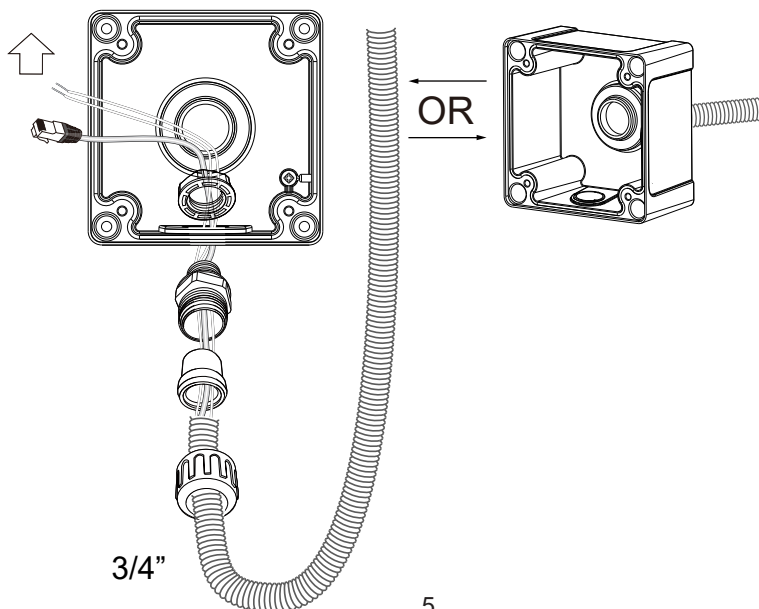
 **IMPORTANT:**

The screws and mounting surface must be able to support a weight of 5 kg.

A 3/4" conduit is required for routing the cables with waterproof connection. The cable gland and conduit are user-supplied.

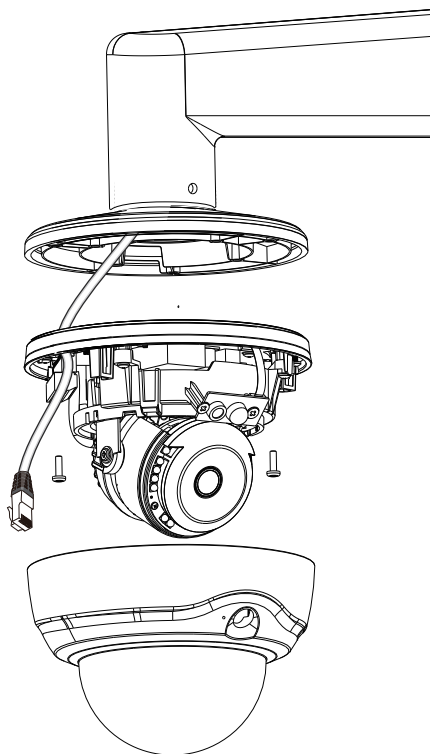


Install the cable gland and pass cables through it. Form a drip loop when routing with the conduits.



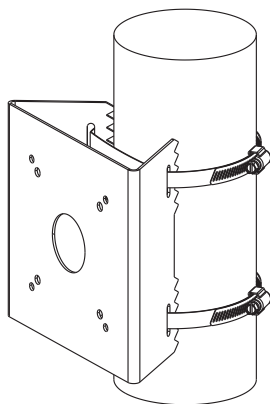


4. Follow the instructions in the Installation Guide that came with the adapter to install network cameras.



Pole mount and corner mount are also supported. Please refer to their Installation Guides for more information.

**AM-312**



**AM-412**

