

4K UltraHD Vandal-resistant Fisheye Fixed Dome Camera

IPC868ER-VF18-B



Key Features

Optics

- Ultra wide angle lens, 360°panoramic image
- Embedded infrared light, 360°fill-in light, Up to 10 m (33ft) IR distance
- 2D/3D DNR (Digital Noise Reduction)

Compression

- Max. 4000 * 3000 resolution
- Ultra265, H.265, H.264, MJPEG
- Built-in microphone & speaker, two-way talk supported
- ROI(Region of Interest)
- Distortion correction supported

Network

- ONVIF Conformance

Structure

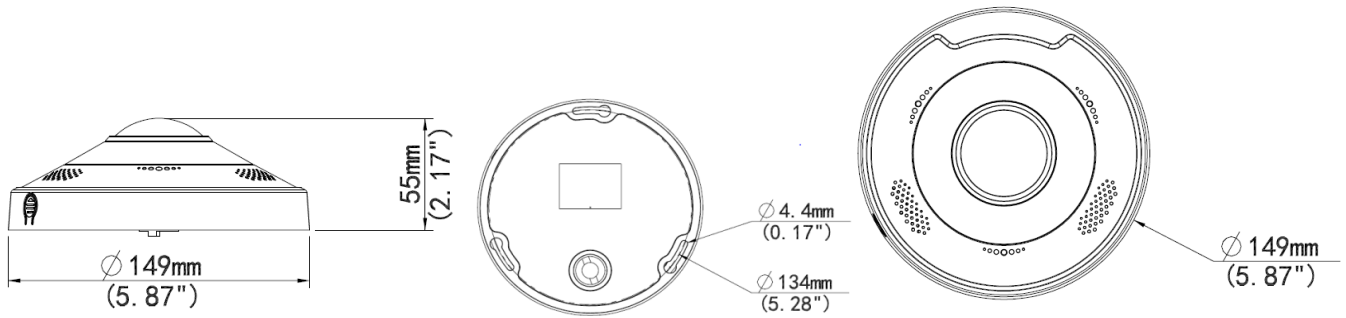
- Support PoE power supply
- Wide temperature range: -30°C to 60°C (-22°F to 140°F)
- Wide voltage range of ±25%
- IK10
- IP66

Specifications

IPC868ER-VF18-B					
Camera					
Image sensor	1/1.7", progressive scan, 12.0 megapixel, CMOS				
Lens	1.8mm@ F2.4				
DORI Distance	Lens	Detect(m)	Observe(m)	Recognize(m)	Identify(m)
	1.8mm	43.8	17.5	8.8	4.4
Angle of View	360°				
Shutter	Auto/Manual, shutter time: 1 ~1/100000 s				
Minimum Illumination	Colour: 0.05Lux (F2.4, AGC ON) 0Lux with IR				
Day / Night	IR-cut filter for day & night function				
Digital noise reduction	2D/3D DNR				
S/N Ratio	>52dB				
IR Range	Up to 10m (33ft)				
Defog	Digital Defog				
WDR	DWDR				
Video					
Compression	Ultra265, H.265, H.264, MJPEG				
H.264 code profile	Baseline profile, Main Profile, High Profile				
Fisheye Frame Rate	Main Stream: 15 fps(4000×3000, 3000×3000), 25 fps(2560×2560); Sub Stream: 15 fps(2000×1500, 2000×2000), 25 fps(2000×2000); Third Stream: 15 fps(720×576, 320×288)				
Panorama	25fps (3000×2000); 15fps (4000×3000, 3000×2000, 3000×1500)				
Frame Rate PTZ	15 fps (1920×1080)				
ROI	Up to 8 areas				
BLC	Supported				
OSD	Up to 8 OSDs				
Privacy Mask	Up to 8 areas				

Motion Detection	Up to 4 areas
Audio	
Audio Compression	G.711
Two-way audio	Supported
Suppression	Supported
Sampling Rate	8KHZ
Storage	
Edge Storage	Micro SD, up to 256GB
Network Storage	ANR
Network	
Protocols	IPv4, IGMP, ICMP, ARP, TCP, UDP, DHCP, PPPoE, RTP, RTSP, RTCP, DNS, DDNS, NTP, FTP, UPnP, HTTP, HTTPS, SMTP, 802.1x, SNMP
Compatible Integration	ONVIF(Profile S, Profile G, Profile T), API
Live View Display	
Mount Type	Support table, wall, and ceiling
Display Mode	Support 10 display modes in total (including display modes of mount types and decoding modes): Display Mode: Original Image, Fisheye+4PTZ, Panoramic Preview Mode: Original Image , 360° Panoramic+1PTZ, 180° Panoramic, Fisheye+3PTZ , Fisheye+4PTZ, 360° Panoramic+6PTZ, Fisheye+8PTZ
Interface	
Audio I/O	Audio interface
	Input: impedance 35 kΩ; amplitude 2 V [p-p]
	Output: impedance 600 Ω; amplitude 2 V [p-p]
Alarm I/O	2 / 1
	Multiple Alarm linkage editable
Built-in Mic	Supported
Built-in Speaker	Supported
Serial	1 channel RS485 interface
Network	1 RJ45 10M/100M Base-TX Auto-adaptive Ethernet
Video Output	1 BNC, impedance 75 Ω; amplitude 1 V [p-p]
General	
Power	DC12V±25%, PoE (IEEE802.3af)
	Power consumption: Max.9.6W
Dimensions (Ø x H)	Φ149mm x 51.5mm (Φ5.87" x 2.0")
Weight	0.5kg(1.1lb)
Working Environment	-35℃ ~ 60℃ (-31°F ~ 140°F), Humidity :10%~90% RH
Ingress Protection	IP66
Vandal Resistant	IK10
Reset Button	Supported

Dimensions



Zhejiang Uniview Technologies Co.,Ltd.

South Tower, Building 10, Wanlun Science Park, 88 Jiangling Road, Hangzhou, P.R.China 310051

Email: overseasbusiness@uniview.com; globalsupport@uniview.com

<http://www.uniview.com>

©2017-2018Zhejiang Uniview Technologies Co.,Ltd. All rights reserved.

*Product specifications and availability are subject to change without notice.