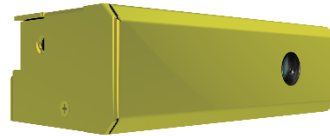


OEP-BTS1-NB Digital Detection Module

Product Picture

Notes: This product is not for medical use, rather for monitoring temperature for access controlling only.



Product Features

- Support non-contact detection of wrist temperature, support warning people with abnormal body temperature
- Support body temperature detection and personnel information binding, which can quickly confirm personnel information and do body temperature detection
- Support configure temperature detection threshold value, and personnel access authority can be configured through temperature detection threshold value
- Non-contact wrist temperature detection module, measurement range is between 30°C to 45°C, measurement accuracy can reach 0.1°C, measurement deviation is less than or equal to 0.3°C, and measurement distance is between 1cm to 3cm

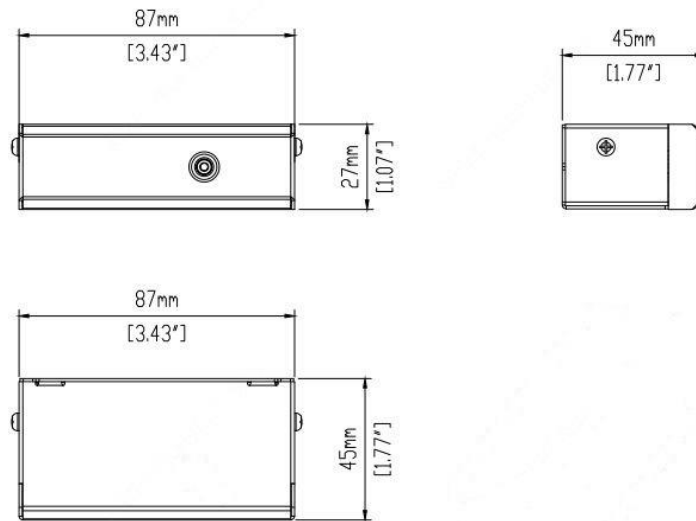
Ordering Information

Model	Comment
OEP-BTS1-NB	Digital Detection Module

Product Specification

Features Parameter	Description
Measurement Range	30°C-45°C
Measurement Accuracy	0.1°C
Measurement Deviation	≤0.3°C
Measurement Distance	1cm-3cm
Power Supply	Input 12V±25% DC
Working Environment	15°C –30°C
Application Situation	Indoor, no wind

Product Dimensions



Zhejiang Uniview Technologies Co., Ltd.

Building No.10, Wanlun Science Park, Jiangling Road 88, Binjiang District, Hangzhou, Zhejiang, China (310051)

Email: overseasbusiness@uniview.com; globalsupport@uniview.com

<http://www.uniview.com>

©2019 Zhejiang Uniview Technologies Co., Ltd. All rights reserved.

*Product specifications and availability are subject to change without notice.