

MNT-PM152

SPECIFICATIONS

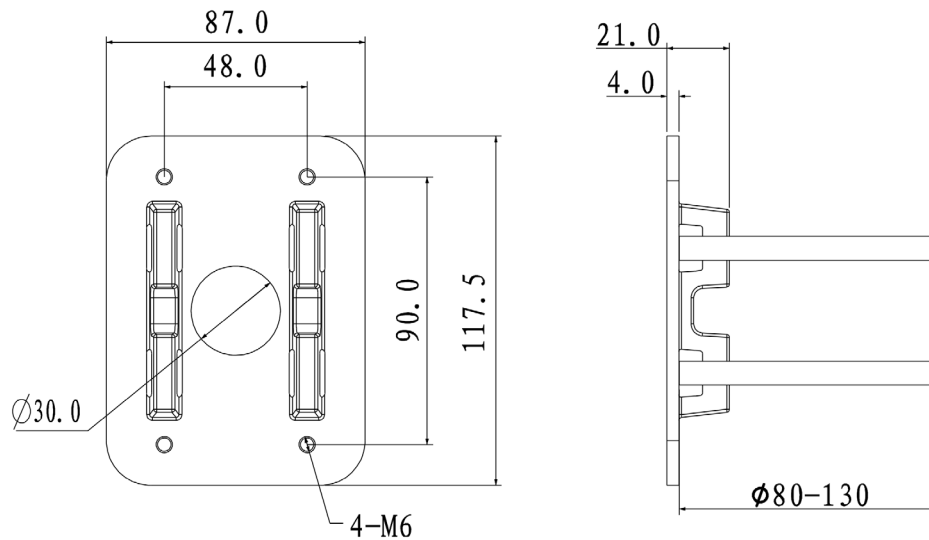
Material	Aluminium
Dimension	117.5mm x 87mm x 21mm
Mast Diameter	80-130mm
Pipe Thread	N/A
Operating Temperature	-40°C -60°C
Humidity	0-90% RH
Load Bearing	3.0Kg
Weight	0.13Kg

FEATURES

Material	Aluminium
Colour	White
Type	Pole Mount



DIMENSIONS & APPLICATION



European Head Office
IC Realtime,
12 Knockmitten Lane,
Western Industrial Estate,
Dublin 12,
Ireland

UK Office
IC Realtime UK
Surrey Technology Centre,
40 Occam Road,
Guildford GU2 7YG,
United Kingdom

USA Head Office
IC Realtime, LLC,
3050 N Andrews Ave EXT,
Pompano Beach,
FL 33064,
USA

USA West Coast Office
IC Realtime West Coast,
14180 W Van Buren Street,
Suite B-105, Goodyear,
AZ 85338,
USA

Email us info@icrealtime.net or visit www.icrealtime.net