

MNT-PFB301S-E

MNT-PFB301S-E

Swan Neck PTZ Bracket



Features

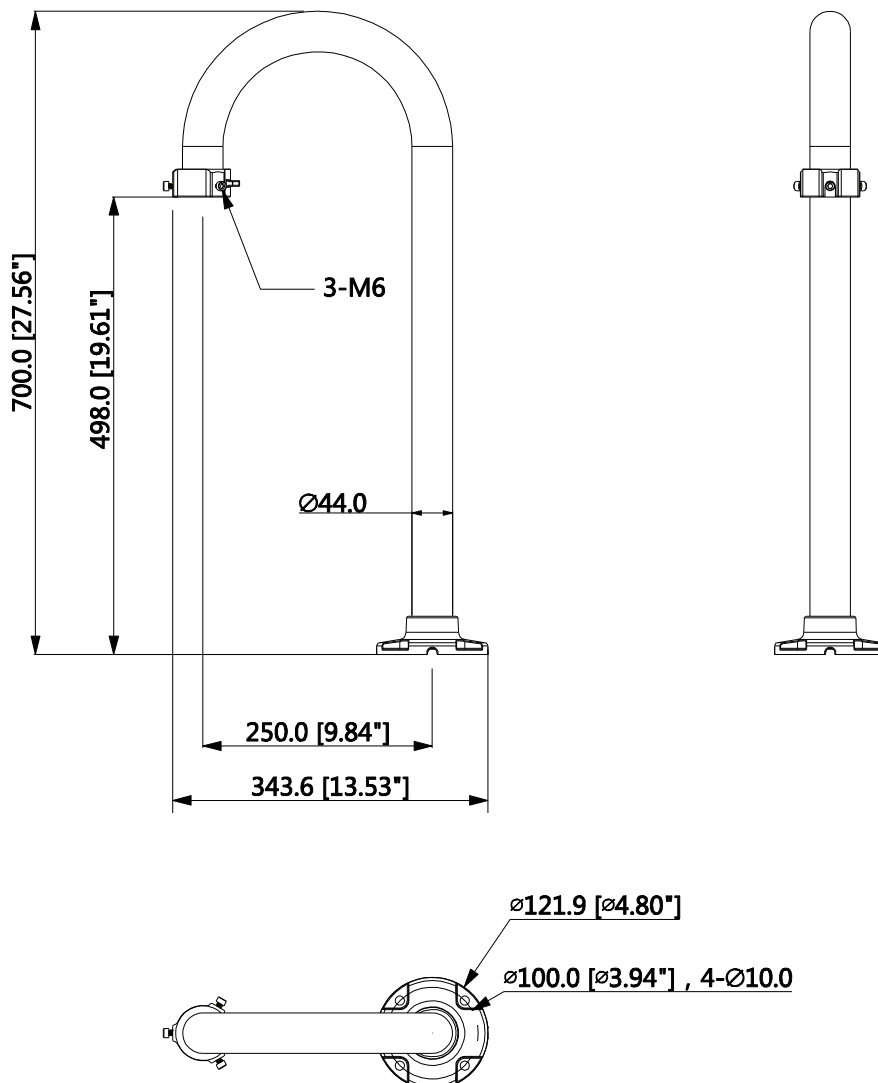
- Parapet/plane mount and hidden line design;
- Material: Aluminum;
- 10kg high load-bearing capacity;
- Reserved the anti-drop structure, secure and reliable.

MNT-PFB301S-E

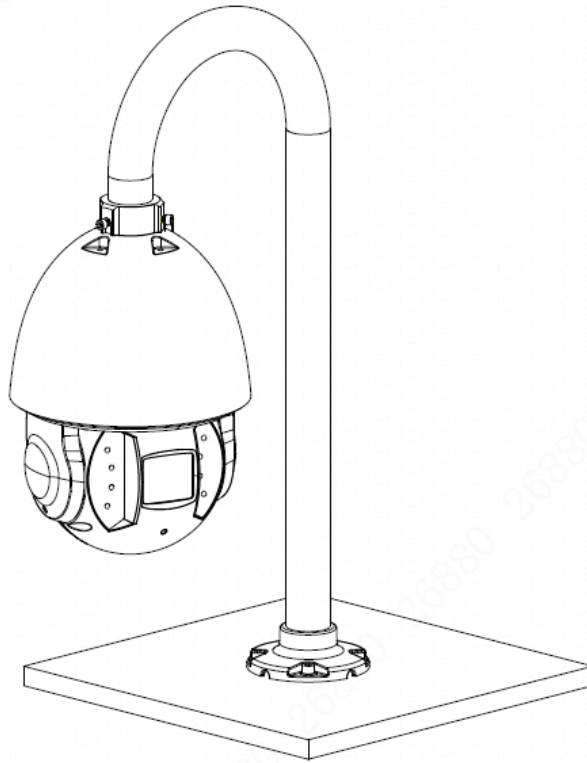
Technical Specifications

Model	MNT-PFB301S-E
General	
Material	Aluminum
Dimension	343.6mmx121.9mmx700.0mm (15.53"x4.8"x27.56")
Load Bearing	10kg (22.05lb)
Weight	1.8kg (3.97lb)
Color	White
Operating Temperature	-40°C ~60°C(-40°F ~+140°F)
Humidity	0~90% RH

Dimensions (mm/inch)



Application



Package Information

- Parape mount racket of PTZ camera *1
- M6x14 screw *3
- M8x80 expansion screw *4