

MIC-ROUND-100

Hi-Fidelity Pickup



SPECIFICATIONS

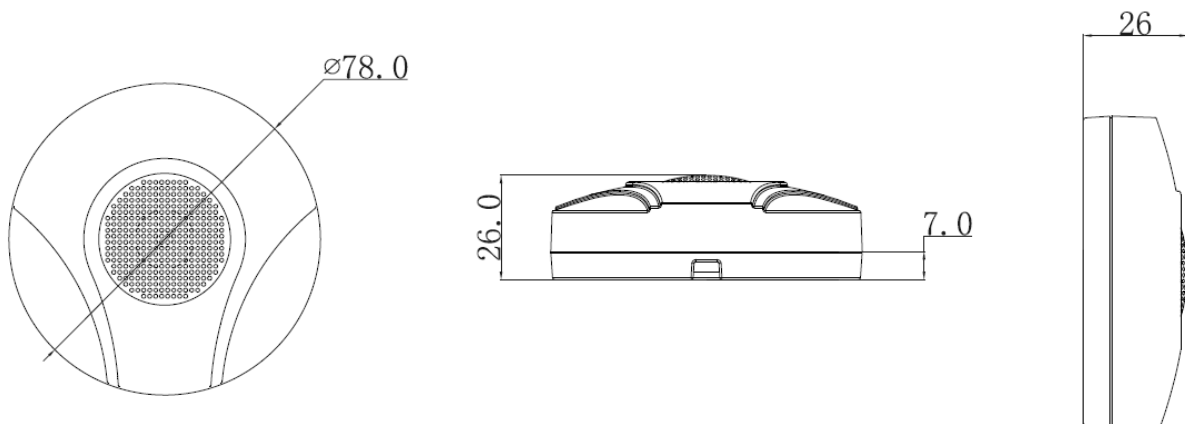
Properties

Scope	5-100m ²
Sensitivity	-32dB (-45 - 15dB adjustable)
Frequency Response	20Hz - 20kHz
Directional Characteristic	Omni-Directional
SNR	80dB (1m 40dB Sound Source SPL)
Dynamic Range	104dB (1KHz at Max dB SPL)
Max. Sustainable Sound Pressure	120dB SPL (1KHz, THD 1%)
Output Impedance	600Ω (non-equilibrium)
Output Signal Amplitude	2.5Vpp/-25dB
Working Voltage	DC 12V (9 - 15V)
Working Current	60mA (50 - 100mA)
Working Temperature	-30°C - 70°C
Colour	White
Outer Shell	PC
Dimension	ø78mm x 26mm
Weight	73g
Carried Standard	CE/FCC

FEATURES

- Omni-directional condenser microphone, high fidelity;
- 30KV Air contact ESD, built-in Lightning Protection, power supply polarity reversal protection and electrostatic protection; with ALC, DSP digital noise reduction processing and AGC processing
- Easy to install, match with cameras or storage devices which have audio function

DIMENSIONS & APPLICATION



• **European Head Office**
• IC Realtime,
• 12 Knockmitten Lane,
• Western Industrial Estate,
• Dublin 12,
• Ireland

• **UK Office**
• IC Realtime UK
• Surrey Technology Centre,
• 40 Occam Road,
• Guildford GU2 7YG,
• United Kingdom

• **USA Head Office**
• IC Realtime, LLC,
• 3050 N Andrews Ave EXT,
• Pompano Beach,
• FL 33064,
• USA

• **USA West Coast Office**
• IC Realtime West Coast,
• 14180 W Van Buren Street,
• Suite B-105, Goodyear,
• AZ 85338,
• USA

Email us info@icrealtime.net or visit www.icrealtime.net