



# Box Network Camera

## Quick Start Guide






# Foreword

## General

This manual introduces the functions, configuration, general operation, and system maintenance of the network camera (hereinafter referred as the Camera).

## Safety Instructions

The following signal words might appear in the manual.

| Signal Words   | Meaning   |
|--|---|
|  <b>WARNING</b> | Indicates a medium or low potential hazard which, if not avoided, could result in slight or moderate injury.                              |
|  <b>CAUTION</b> | Indicates a potential risk which, if not avoided, could result in property damage, data loss, lower performance, or unpredictable result. |
|  <b>NOTE</b>    | Provides additional information as a supplement to the text.  |

## Revision History

| Version | Revision Content | Release Date  |
|---------|------------------|---------------|
| V1.0.0  | First release.   | February 2022 |

## Privacy Protection Notice

As the device user or data controller, you might collect the personal data of others such as their face, fingerprints, and license plate number. You need to be in compliance with your local privacy protection laws and regulations to protect the legitimate rights and interests of other people by implementing measures which include but are not limited: Providing clear and visible identification to inform people of the existence of the surveillance area and provide required contact information.

## About the Manual

- The manual is for reference only. Slight differences might be found between the manual and the product.
- We are not liable for losses incurred due to operating of the product in ways that are not in compliance with the manual.
- The manual will be updated according to the latest laws and regulations of related jurisdictions. For detailed information, see the paper User Manual, use our CD-ROM, scan the QR code or visit our official website. The manual is for reference only. Slight differences might be found between the electronic version and the paper version.
- All the designs and software are subject to change without prior written notice. Product updates might result in some differences appearing between the actual product and the manual. Please contact customer service for the latest program and supplementary documentation.
- There might be deviations in the description of the technical data, functions and operations, or errors in the print. If there is any doubt or dispute, we reserve the right of final explanation.

- Upgrade the reader software or try other mainstream reader software if the manual (in PDF format) cannot be opened.
- All trademarks, registered trademarks and the company names in the manual are the properties of their respective owners.
- Please visit our website, contact the supplier or customer service if any problems occur while using the device.
- If there is any uncertainty or controversy, we reserve the right of final explanation.

# Important Safeguards and Warnings

This section introduces content covering the proper handling of the device, hazard prevention, and prevention of property damage. Read carefully before using the device, comply with the guidelines when using it, and keep the manual safe for future reference.

## Transportation Requirements



- Transport the device under allowed humidity and temperature conditions.
- Pack the device with packaging provided by its manufacturer or packaging of the same quality before transporting it.
- Do not place heavy stress on the device, violently vibrate or immerse it in liquid during transportation.

## Storage Requirements



- Store the device under allowed humidity and temperature conditions.
- Do not place the device in a humid, dusty, extremely hot or cold site that has strong electromagnetic radiation or unstable illumination.
- Do not place heavy stress on the device, violently vibrate or immerse it in liquid during storage.

## Installation Requirements




- Strictly comply with the local electrical safety code and standards, and check whether the power supply is correct before operating the device.
- Please follow the electrical requirements to power the device.
  - ◇ When selecting the power adapter, the power supply must conform to the requirements of ES1 in IEC 62368-1 standard and be no higher than PS2. Please note that the power supply requirements are subject to the device label.
  - ◇ We recommend using the power adapter provided with the device.
- Do not connect the device to two or more kinds of power supplies, unless otherwise specified, to avoid damage to the device.
- The device must be installed in a location that only professionals can access, to avoid the risk of non-professionals becoming injured from accessing the area while the device is working. Professionals must have full knowledge of the safeguards and warnings of using the device.



- Do not place heavy stress on the device, violently vibrate or immerse it in liquid during installation.
- An emergency disconnect device must be installed during installation and wiring at a readily accessible location for emergency power cut-off.
- We recommend you use the device with a lightning protection device for stronger protection

against lightning. For outdoor scenarios, strictly comply with the lightning protection regulations.

- Ground the function earthing portion  of the device to improve its reliability (certain models are not equipped with earthing holes). The device is a class I electrical appliance. Make sure that the power supply of the device is connected to a power socket with protective earthing.
- The dome cover is an optical component. Do not directly touch or wipe the surface of the cover during installation.

## Operation Requirements



- The cover must not be opened while the device is powered on.
- Do not touch the heat dissipation component of the device to avoid the risk of getting burnt.



- Use the device under allowed humidity and temperature conditions.
- Do not aim the device at strong light sources (such as lamplight, and sunlight) when focusing it, to avoid reducing the lifespan of the CMOS sensor, and causing overbrightness and flickering.
- When using a laser beam device, avoid exposing the device surface to laser beam radiation.
- Prevent liquid from flowing into the device to avoid damage to its internal components.
- Protect indoor devices from rain and dampness to avoid electric shocks and fires breaking out.
- Do not block the ventilation opening near the device to avoid heat accumulation.
- Protect the line cord and wires from being walked on or squeezed particularly at plugs, power sockets, and the point where they exit from the device.
- Do not directly touch the photosensitive CMOS. Use an air blower to clean the dust or dirt on the lens.
- The dome cover is an optical component. Do not directly touch or wipe the surface of the cover when using it.
- There might be a risk of electrostatic discharge on the dome cover. Power off the device when installing the cover after the camera finishes adjustment. Do not directly touch the cover and make sure the cover is not exposed to other equipment or human bodies
- Strengthen the protection of the network, device data and personal information. All necessary safety measures to ensure the network security of the device must be taken, such as using strong passwords, regularly changing your password, updating firmware to the latest version, and isolating computer networks. For the IPC firmware of some previous versions, the ONVIF password will not be automatically synchronized after the main password of the system has been changed. You need to update the firmware or change the password manually.

## Maintenance Requirements



- Strictly follow the instructions to disassemble the device. Non-professionals dismantling the device can result in it leaking water or producing poor quality images. For a device that is required to be disassembled before use, make sure the seal ring is flat and in the seal groove when putting the cover back on. When you find condensed water forming on the lens or the desiccant becomes green after you disassembled the device, contact after-sales service to replace the desiccant. Desiccants might not be provided depending on the actual model.

- Use the accessories suggested by the manufacturer. Installation and maintenance must be performed by qualified professionals.
- Do not directly touch the photosensitive CMOS. Use an air blower to clean the dust or dirt on the lens. When it is necessary to clean the device, slightly wet a soft cloth with alcohol, and gently wipe away the dirt.
- Clean the device body with a soft dry cloth. If there are any stubborn stains, clean them away with a soft cloth dipped in a neutral detergent, and then wipe the surface dry. Do not use volatile solvents such as ethyl alcohol, benzene, diluent, or abrasive detergents on the device to avoid damaging the coating and degrading the performance of the device.
- The dome cover is an optical component. When it is contaminated with dust, grease, or fingerprints, use degreasing cotton moistened with a little ether or a clean soft cloth dipped in water to gently wipe it clean. An air gun is useful for blowing dust away.
- It is normal for a camera made of stainless steel to develop rust on its surface after being used in a strong corrosive environment (such as the seaside, and chemical plants). Use an abrasive soft cloth moistened with a little acid solution (vinegar is recommended) to gently wipe it away. Afterwards, wipe it dry.

---

# Table of Contents

|   |           |
|---|-----------|
| Foreword .....                                | I         |
| Important Safeguards and Warnings.....        | III       |
| <b>1 Introduction .....</b>                   | <b>1</b>  |
| <b>1.1 Structure .....</b>                    | <b>1</b>  |
| <b>1.2 Connecting Alarm Input/Output.....</b> | <b>3</b>  |
| <b>2 Network Configuration.....</b>           | <b>5</b>  |
| <b>2.1 Initializing the Camera.....</b>       | <b>5</b>  |
| <b>2.2 Changing Device IP Address .....</b>   | <b>7</b>  |
| <b>2.3 Logging in to Web Page .....</b>       | <b>8</b>  |
| <b>3 Installation.....</b>                    | <b>9</b>  |
| <b>3.1 Packing List.....</b>                  | <b>9</b>  |
| <b>3.2 Dimensions .....</b>                   | <b>9</b>  |
| <b>3.3 Installing the Camera.....</b>         | <b>9</b>  |
| <b>3.3.1 Installation Method .....</b>        | <b>9</b>  |
| <b>3.3.2 Installing housing.....</b>          | <b>10</b> |
| <b>3.3.3 Installing SD Card .....</b>         | <b>10</b> |
| <b>3.3.4 Installing Lens .....</b>            | <b>10</b> |
| <b>3.3.5 Attaching the Camera.....</b>        | <b>11</b> |
| <b>3.3.6 Using I/O Port.....</b>              | <b>12</b> |
| <b>3.3.7 Adjusting Lens Angle.....</b>        | <b>13</b> |

# 1 Introduction

## 1.1 Structure



Structure type might differ depending on different cameras.

Figure 1-1 Structure (1)

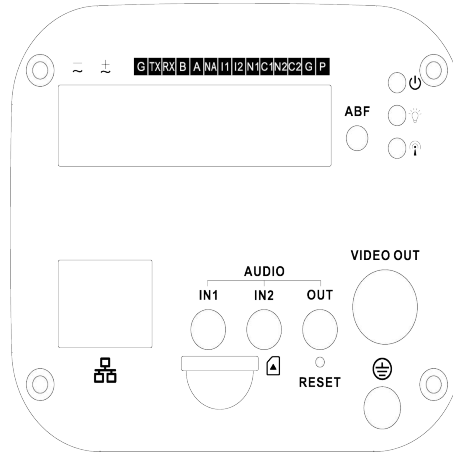


Figure 1-2 Structure (2)

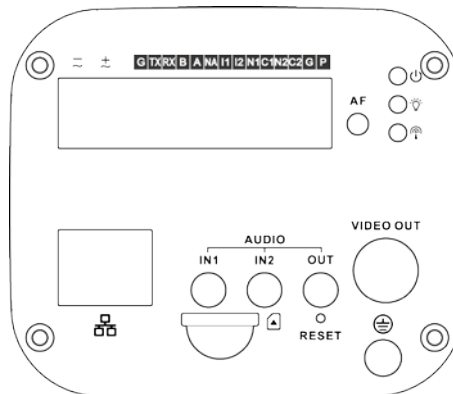


Figure 1-3 Structure (3)

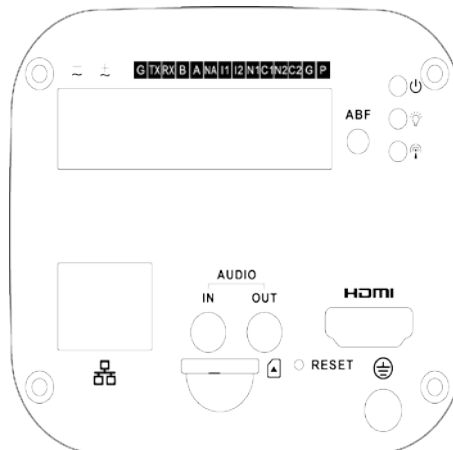












Table 1-1 Structure information

| Port Name           |  | Description   |
|---------------------|--|---|
| VIDEO OUT           | Video output port  | <ul style="list-style-type: none"> <li>Outputs analog video signal. It can connect to TV monitor to check image.</li> <li>Previews image via the DVR which supports HDCVI when it outputs HDCVI signal.</li> </ul>  |
| HDMI                | HDMI port  | Connects to HDMI monitor to preview image.  |
| 24 VAC/12 VDC       | Power port   | Inputs 12 VDC or 24 VAC power supply. Be sure to supply power as instructed in the Manual.<br> <ul style="list-style-type: none"> <li>When using 24 VAC power, please connect the power input port to 2PIN converter first.</li> <li>Camera abnormality or damage could occur if power is not supplied correctly.</li> </ul> |
| Indicator Light     | Red light       | <ul style="list-style-type: none"> <li>System boots up: Red light is solid on.</li> </ul>   |
|                     | Green light     | <ul style="list-style-type: none"> <li>System upgrades: Green light flashes.</li> <li>System resets: Green light is off.</li> </ul>   |
|                     | Yellow light  | <ul style="list-style-type: none"> <li>The Camera works normally: Green light is solid on.</li> <li>The Camera is recording: Green light flashes.</li> <li>The Camera detects wireless device: Yellow light is solid on.</li> </ul>   |
| G                   | GND  | Ground end of RS-232 serial port.   |
| TX                  | RS-232 port  | Sending end of RS-232 serial port.  |
| RX                  |  | Receiving end of RS-232 serial port.  |
| B                   | RS-485 port  | RS485_B port, control external PTZ, and more.   |
| A                   |  | RS485_A port, control external PTZ, and more.   |
| NA                  | IR light port  | External IR light signal control port.  |
| I1                  | Alarm input port 1   | Receives the on-off signal from the external alarm source.  |
| I2                  | Alarm input port 2   | Receives the on-off signal from the external alarm source.  |
| N1                  | Alarm output port  | <ul style="list-style-type: none"> <li>Alarm output port, output alarm signal to alarm device.</li> <li>N1/N2: Normally open alarm output end.</li> <li>C1/C2: Alarm output public end.</li> </ul>  |
| C1                  |  |   |
| N2                  |  |   |
| C2                  |  | <br>N1 can only be used with C1 while N2 can only be used with C2 when connecting alarm device.  |
| P/G (adjacent to P) | Power output   | Supplies 12 VDC 2 W power for external devices. P connects to positive pole while G connects to negative pole.  |

| Port Name  |                                     | Description   |
|--|-------------------------------------|---|
| RESET  | RESET button                        | Restores device factory default setup.<br>When system is running normally, press the RESET button for at least 5 seconds, system can restore factory default setup.   |
| ABF  | Auto back focus adjustment          | Auto back focus adjustment, by adjusting Sensor board position to achieve precise back focus adjustment.  |
| AF   | Auto focus function                 | The Camera lens mount is M43 and it supports the function when installed with motorized lens.<br>Realizes accurate auto focus via one button.   |
| AUDIO OUT  | Audio output port                   | 3.5 mm JACK port, output audio signal to the passive device such as earphone, and more.   |
| AUDIO IN1  | Audio input port                    | 3.5 mm JACK, input audio signal from devices such as pick-up.<br><br>Some cameras are only equipped with 1 channel audio input port. |
| AUDIO IN2  |                                     |   |
| LAN  /OPT | Network port /MB optical fiber port | <ul style="list-style-type: none"> <li>LAN: Connect to standard Ethernet cable and provide PoE power supply function.</li> <li>OPT: Transmit MB Ethernet data.</li> </ul>   |
| SD   | SD card port                        | Connects to SD card.  |
|         | GND                                 | Make sure that the Camera is securely earthed to prevent the thunderstorm strike when using the Camera.   |

## 1.2 Connecting Alarm Input/Output

The Camera can connect to external alarm input/output device through digital input/output.



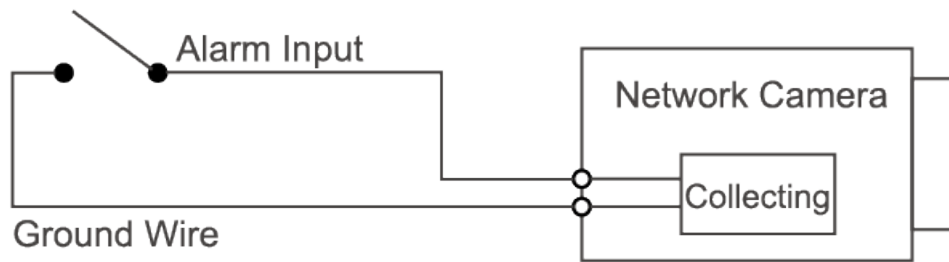
Alarm input/output is available on select models.

**Step 1** Connect alarm input device to the alarm input end of the I/O port.

Device collects different states of alarm input port when the input signal is idling and being grounded.

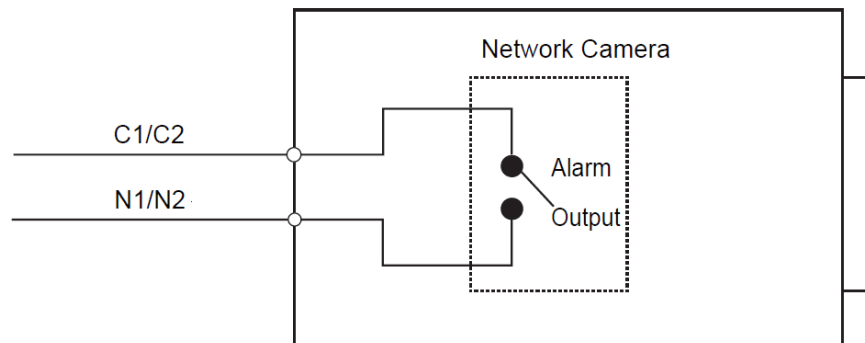
- Device collects logic "1" when input signal is connected to +3 V to +5 V or idling.
- Device collects logic "0" when input signal is grounded.

Figure 1-4 Alarm input



- Step 2** Connect alarm output device to the alarm output end of the I/O port. The alarm output is relay switch output, which can only connect to OUT\_GND alarm devices. N1 and C1 or N2 and C2 constitute a switch to provide the alarm output. The switch is normally open and closed when there is alarm output.

Figure 1-5 Alarm output



- Step 3** Log in to web page, and then configure alarm input and alarm output in alarm settings.
- The alarm input on the web page is corresponding to the alarm input end of the I/O port. There will be high level and low level alarm signal generated by the alarm input device when alarm occurs. Set the input mode to "NO" (default) if the alarm input signal is logic "0" and to "NC" if the alarm input signal is logic "1".
  - The alarm output on the web page is corresponding to the alarm output end of the device, which is also the alarm output end of the I/O port.

## 2 Network Configuration

Device initialization and IP setting can be finished with the ConfigTool or on web page. For more information, see web operation manual.



- Device initialization is available on select models, and it is required at first-time use and after device is reset.
- Device initialization is available only when the IP addresses of the Camera (192.168.1.108 by default) and the PC stay on the same network segment.
- Plan usable network segment properly to connect the Camera to the network.
- The following figures are for reference only.

### 2.1 Initializing the Camera

Step 1 Double-click ConfigTool.exe to open the tool.

Step 2 Click **Modify IP**.

Step 3 Click **Search Setting**.

Figure 2-1 Setting

Step 4 Select the searching way.

- **Current Segment Search (default)**  
Select the **Current Segment Search** checkbox. Enter the username in the **Username** box and the password in the **Password** box. The system will search for the Camera accordingly.
- **Other Segment Search**  
Select the **Other Segment Search** checkbox. Enter IP address in the **Start IP** box and **End IP** box respectively. Enter user name and password. The system will search for the Camera accordingly.



- If you select the **Current Segment Search** checkbox and the **Other Segment Search** checkbox together, the system searches for the Camera under both conditions.
- Enter username and the password when you want to change IP, configure the system, update the Camera, restart the Camera, and more.

Step 5 Click **OK**.

Step 6 Select one or several cameras in uninitialized status, and then click **Initialize**.

Step 7 Select the cameras to be initialized, and then click **Initialize**.

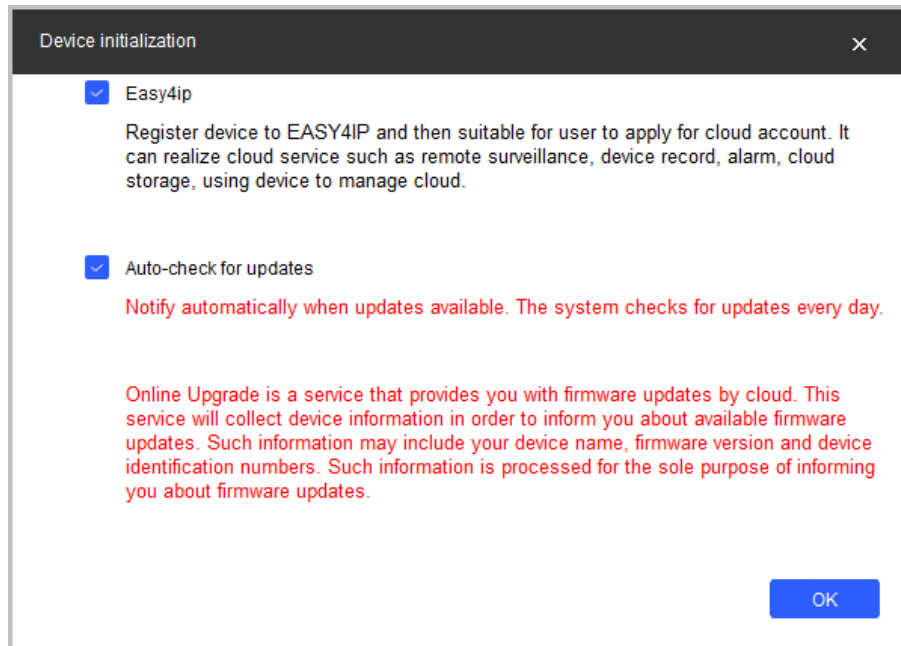


- If you do not provide the linked information for password reset, you can reset the password only through XML file.
- When initializing multiple cameras, ConfigTool initializes all cameras based on the password reset mode of the first selected camera.

Figure 2-2 Password setting

Step 8 Set and confirm the password of the cameras, then enter a valid email address, and then click **Next**.

Figure 2-3 Device initialization



- Step 9** Select **Easy4ip** or select **Auto-check for updates** as needed. If neither, leave them unselected.
- Step 10** Click **OK** to initialize the Camera.  
Click the success icon (✓) or the failure icon (⚠) for the details.
- Step 11** Click **Finish**.

## 2.2 Changing Device IP Address

- You can change IP address of one or multiple cameras at one time. This section is based on changing IP addresses in batches.
- Changing IP addresses in batches is available only when the corresponding cameras have the same login password.

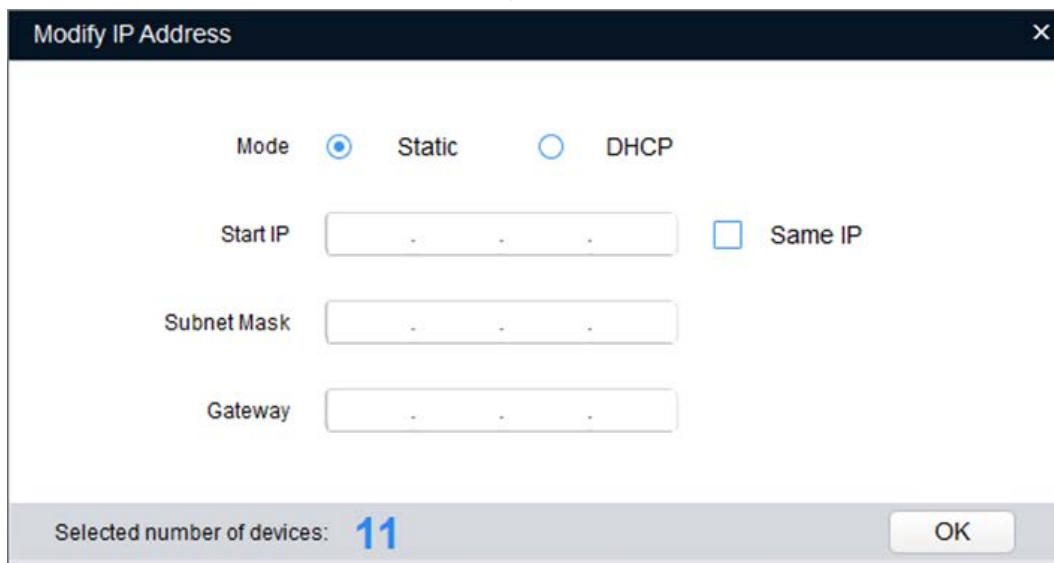
**Step 1** Follow **Step1** to **Step5** in "2.1 Initializing the Camera" to search for cameras on your network segment.



After clicking **Search Setting**, enter the username and password, and make sure that they are the same as what you set during initialization; otherwise there will be wrong password notice.

**Step 2** Select the cameras whose IP addresses need to be modified, and then click **Batch Modify IP**.

Figure 2-4 Modify IP address



**Step 3** Select **Static** mode, and then enter start IP, subnet mask, and gateway.



- IP addresses of multiple cameras will be set to the same if you select the **Same IP** checkbox.
- If DHCP server is available in the network, cameras will automatically obtain IP addresses from DHCP server when you select **DHCP**.

**Step 4** Click **OK**.

## 2.3 Logging in to Web Page

**Step 1** Open IE browser, enter the IP address of the Camera in the address bar, and then press the Enter key.

If the setup wizard is displayed, finish the settings as instructed.

**Step 2** Enter the username and password in the login box, and then click **Login**.

**Step 3** For the first-time login, click **Click Here to Download Plugin**, and then install the plugin as instructed.

The home page is displayed when the installation is finished.

## 3 Installation

### 3.1 Packing List

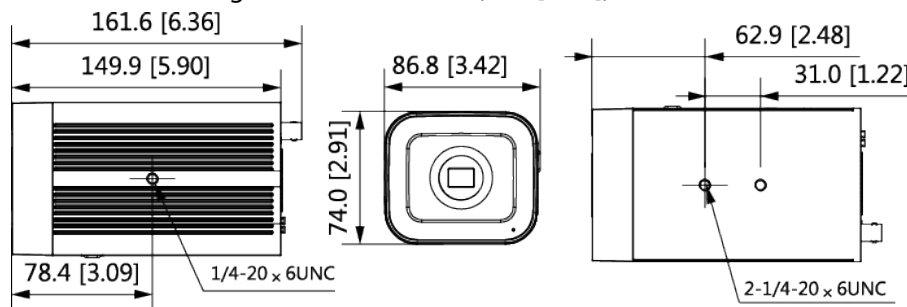
- The tool required for the installation such as electric drill is not provided in the package.
- The operation manual and related tool information are contained in the disk or the QR code.

Figure 3-1 Packing list



### 3.2 Dimensions

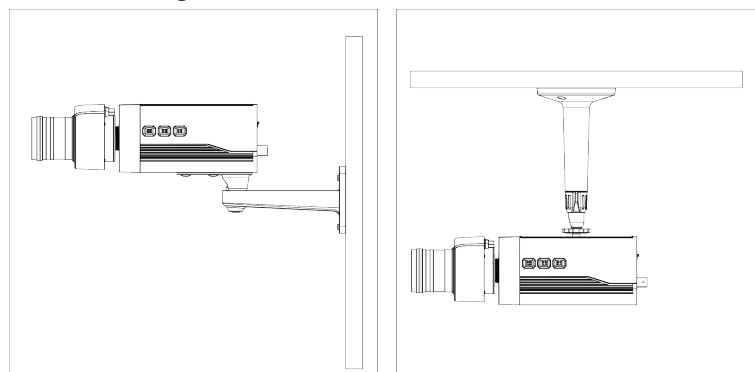
Figure 3-2 Dimensions (mm [inch])



### 3.3 Installing the Camera

#### 3.3.1 Installation Method

Figure 3-3 Installation method

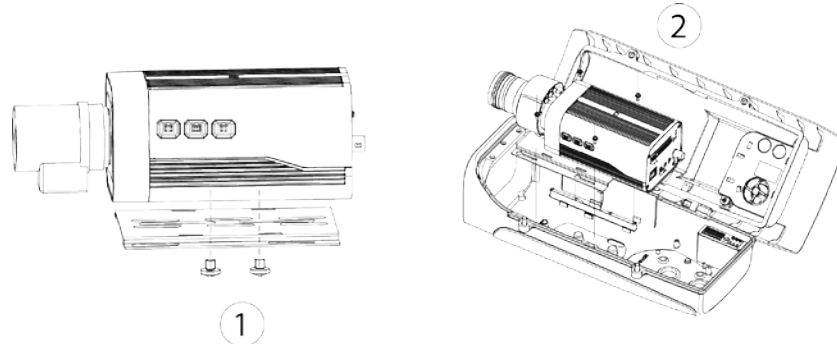




### 3.3.2 Installing housing

Use housing if the Camera needs to be installed outdoors, which is to avoid camera damage caused by water soaking.

Figure 3-4 Install housing



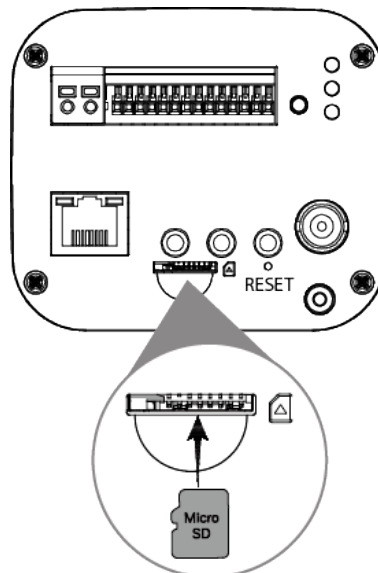
### 3.3.3 Installing SD Card

- SD card slot is available on select models.
- Disconnect the power before installing or removing the SD card.



Press the reset button for 10 seconds to reset the Camera.

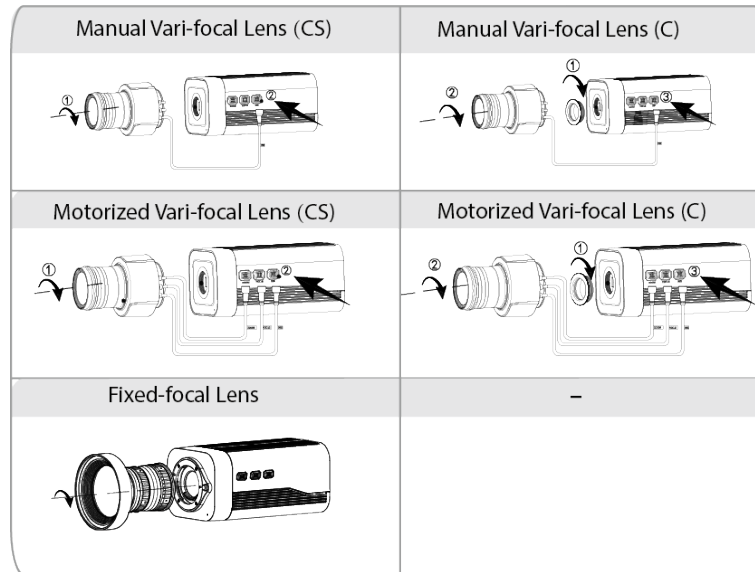
Figure 3-5 Install SD card



### 3.3.4 Installing Lens

Auto iris socket: Plug the cable of auto iris lens into auto iris socket when the installed lens is auto iris lens.

Figure 3-6 Install lens



### 3.3.5 Attaching the Camera



Make sure that the mounting surface is strong enough to hold at least three times the weight of the Camera and bracket.

Figure 3-7 Cable going through the side cable tray

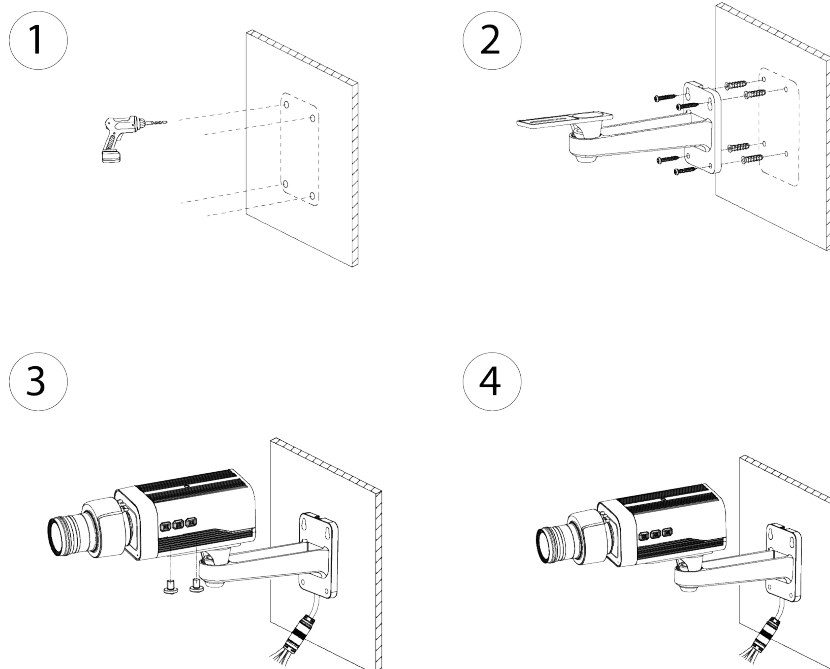
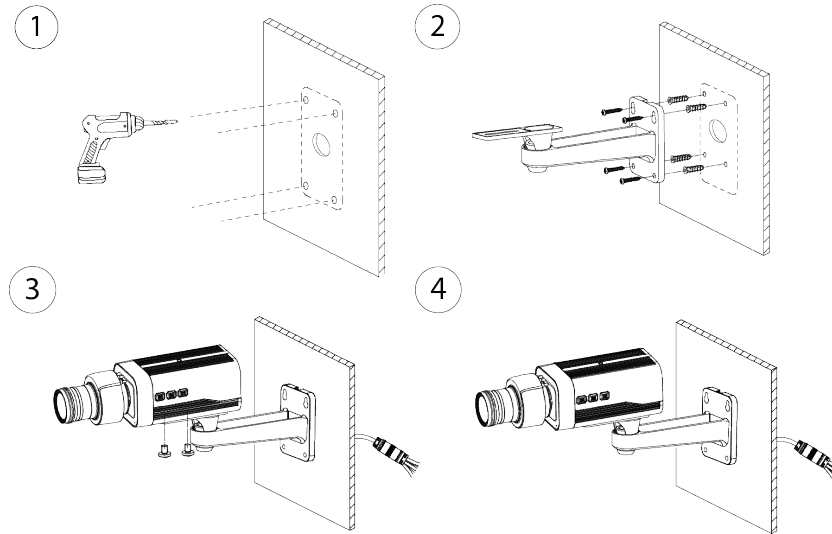


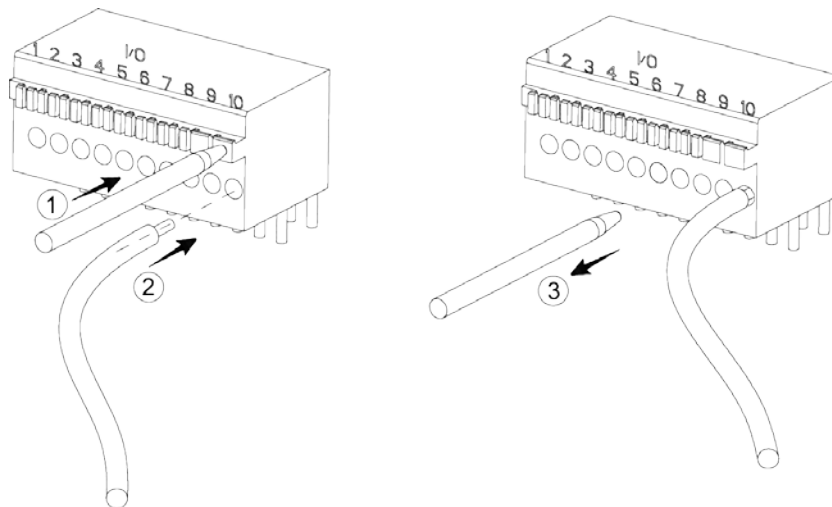
Figure 3-8 Cable going through the mounting surface



### 3.3.6 Using I/O Port

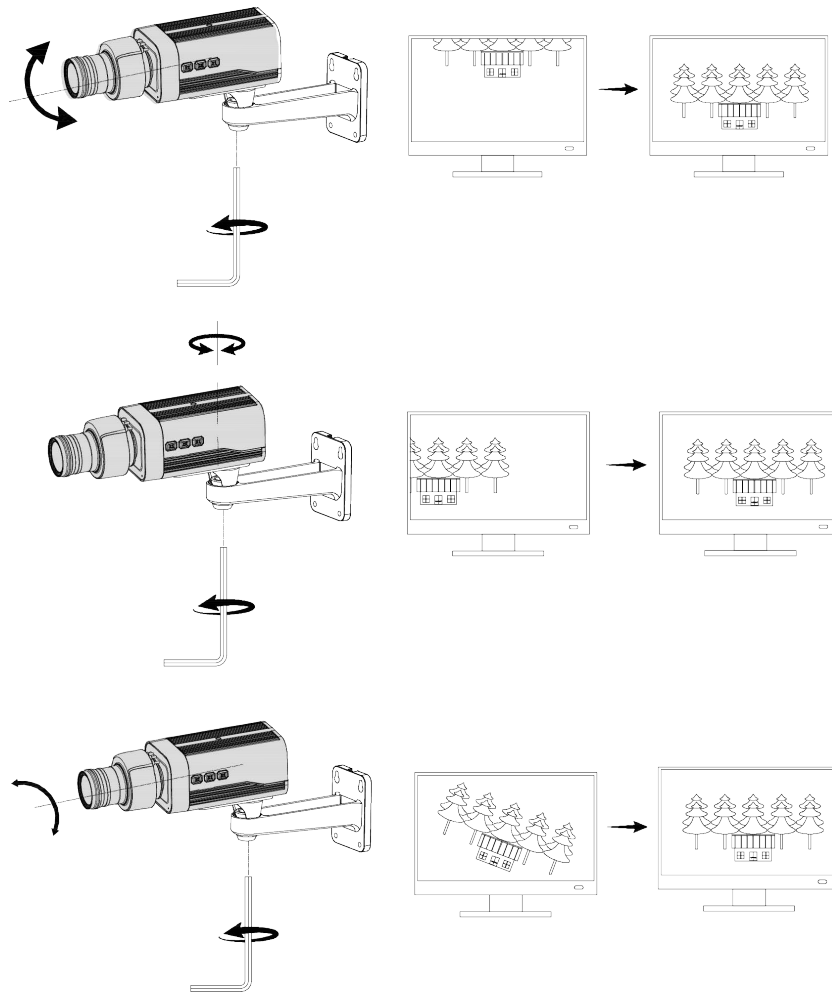
- Step 1 Use a tool like slotted screwdriver to press the I/O button.
- Step 2 Insert the I/O port. For details about I/O port, see Table 1-1.
- Step 3 Release the tool after you inserted the I/O port.

Figure 3-9 Use I/O Port



### 3.3.7 Adjusting Lens Angle

Figure 3-10 Adjust lens angle



ENABLING A SAFER SOCIETY AND SMARTER LIVING

ZHEJIANG DAHUA VISION TECHNOLOGY CO., LTD.

Address: No.1199 Bin'an Road, Binjiang District, Hangzhou, P. R. China | Website: [www.dahuasecurity.com](http://www.dahuasecurity.com) | Postcode: 310053

Email: [overseas@dahuatech.com](mailto:overseas@dahuatech.com) | Fax: +86-571-87688815 | Tel: +86-571-87688883