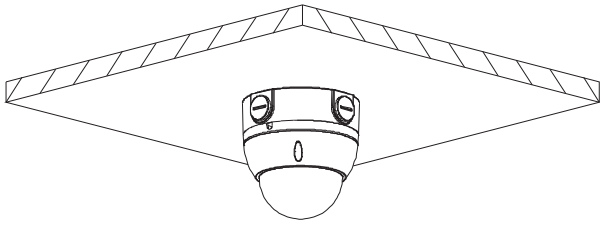
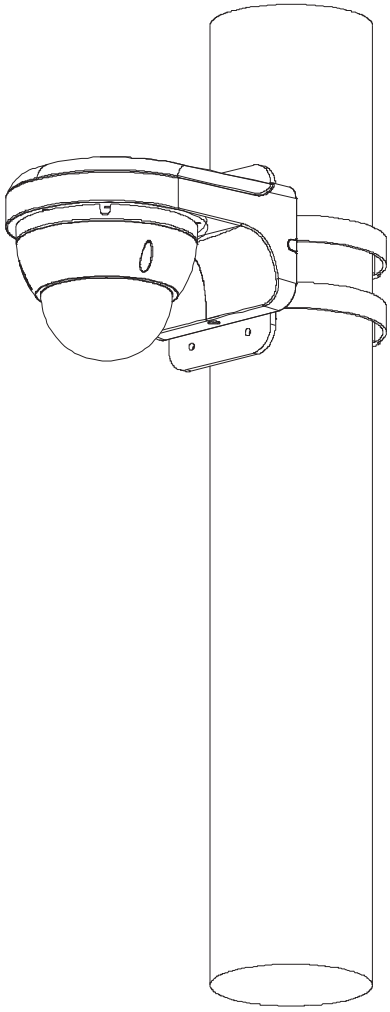
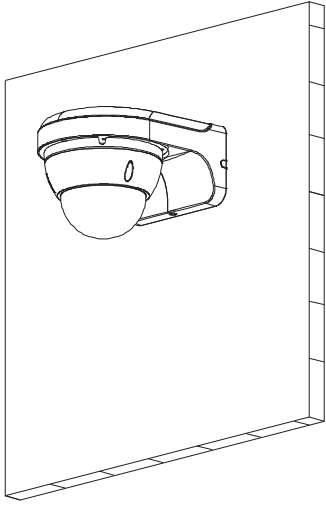


Junction Mount	Pole Mount
PFA137	PFB203W + PFA152-E
 A line drawing showing a dome-shaped camera (PFA137) mounted on a square ceiling junction. The camera is positioned centrally, with its lens pointing downwards. The ceiling is represented by a square with diagonal hatching lines.	 A line drawing showing a dome-shaped camera (PFB203W) mounted on a vertical cylindrical pole. The camera is attached to the pole using a bracket with two horizontal straps. The lens of the camera is oriented downwards.
Wall Mount	
PFB203W	
 A line drawing showing a dome-shaped camera (PFB203W) mounted on a vertical wall. The camera is attached to the wall using a bracket with two horizontal straps. The lens of the camera is oriented downwards.	