



B-TECH AV MOUNTS™

**SINGLE
ARM FOR
EXTENDED
REACH**

BTV503

FLAT SCREEN WALL MOUNT WITH SINGLE ARM

Designed to wall mount small to medium sized screens, this single arm wall mount features a rotating interface with tilt and swivel, allowing quick and easy repositioning of screens as required - the mount can display the screen folded flat against the wall or up to its maximum extension of 240mm. Cable management is included to help make a neat and tidy mounting solution which is ideal for home installations as well as commercial applications.

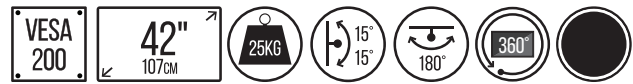


SPECIFICATION

Recommended Screen Size	up to 42"
Max Load	25kg
VESA® compatibility	up to 200 x 200
Screen Rotation	360°
Tilt	+/-15°
Swivel	180°
Extension	79 - 240mm
Colour	Black

FEATURES

- Single arm for extended reach
- Folds flat to the wall
- Interface features tilt, swivel and screen rotation
- Integrated cable management
- Integrated spirit level for easy wall plate levelling during installation
- Simple 'hook-on' installation
- All mounting hardware included



Folds flat to the wall with a distance of only 79mm



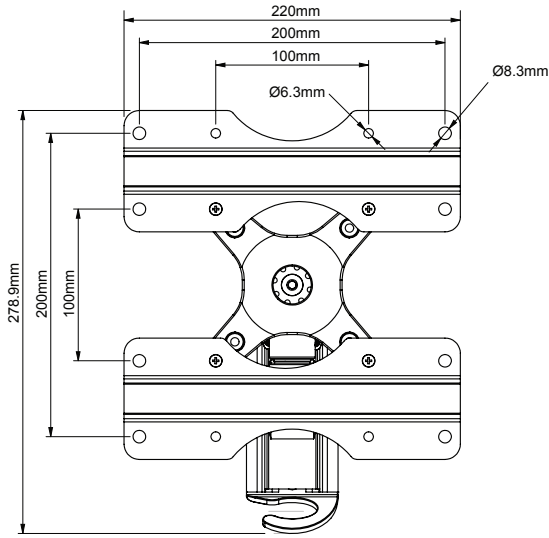
Integrated cable management and spirit level included



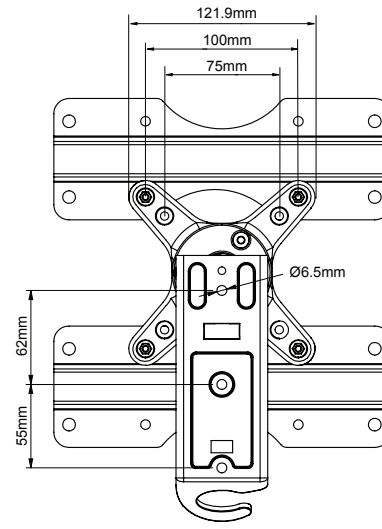
Features up/down tilt plus 2 pivot points



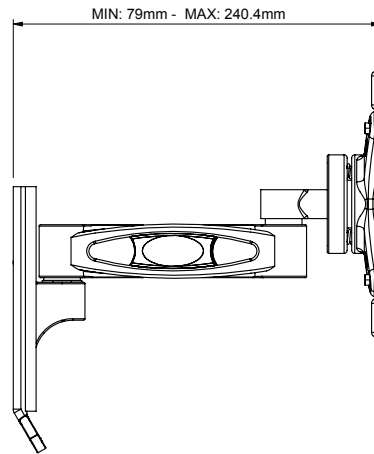
Interface allows screen rotation of 360°



FRONT VIEW



REAR VIEW



SIDE VIEW WITH ARM EXTENDED

PACKING INFORMATION

COLOUR:	ORDER REF:	EAN CODE:	MASTER CARTON QTY:	INNER CARTON QTY:	MASTER CARTON WEIGHT:	MASTER CARTON CUBE:
Black	BTV503/B	5019318440618	6	0	12.06kg	0.036cbm

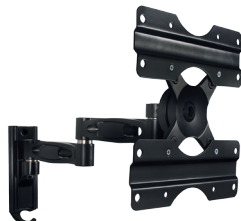
ACCESSORIES AND SIMILAR PRODUCTS TO THE BTV503

BTV502



Flat Screen Wall Mount with Tilt & Swivel designed for screens up to 42"

BTV504



Double Arm Wall Mount with Tilt & Swivel designed for screens up to 42"

BTV920



AV Component Shelf designed for holding all common AV equipment

BTV914



Universal Soundbar Mount fits directly to BTV503 to mount a Soundbar under your screen

© 2016 B-Tech Consumer Products, All rights reserved. The information in this specification is current technical specifications at the time of print. We reserve the right to change the technical or physical specifications without prior notice. The B-Tech name and B-Tech logo are registered trademarks of B-Tech International Ltd. B-Tech accepts no liability for loss or damage caused by improper or negligent installation or use of the product. Any reproduction or transmission or replication of any part of this specification is expressly prohibited, unless prior written permission has been granted by B-Tech International Ltd. (BTL).

SS-BTV503-V1-110216