



B-TECH AV MOUNTS™

ADJUSTABLE  
DROP IN 25MM  
INCREMENTS

# BT8425

## ADJUSTABLE DROP FLAT SCREEN CEILING MOUNT WITH TILT

Designed to ceiling mount screens up to 35kg, the BT8425 features an adjustable drop up to 943mm (to the centre of the interface) and utilises B-Tech's unique 'Torsion-Tilt' mechanism for easy tilt adjustment up to +/-18°. Other features include security locking screws to help prevent unauthorised removal of the screen and cover plates for a neat and tidy installation. Available in Black.

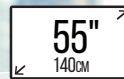
### SPECIFICATION

Recommended Screen Size	32" - 55"
Max Load	35kg
Tilt Adjustment	+/-18°
Ceiling Drop	663mm - 943mm*
Universal Fixings	up to 465mm x 400mm
VESA® compatibility	up to 400 x 400
Colour (Interface and Ceiling Plate)	Black
Colour (Pole)	Black

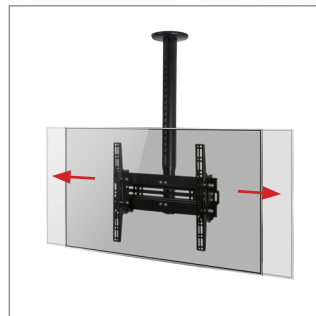
\*To the centre of the mount

### FEATURES

- Adjustable ceiling drop in increments of 25mm
- Unique 'Torsion-Tilt' mechanism for easy tilt adjustment
- Security locking screws, Allen key and locking bars provided for a secure installation
- Cover plate included for smart installation
- Post installation screen alignment for perfect screen positioning
- Integrated cable management
- Simple 'hook-on' installation
- All mounting hardware included



Security locking screws, Allen key and locking bars provided for secure installation (\*\*Padlock not included)



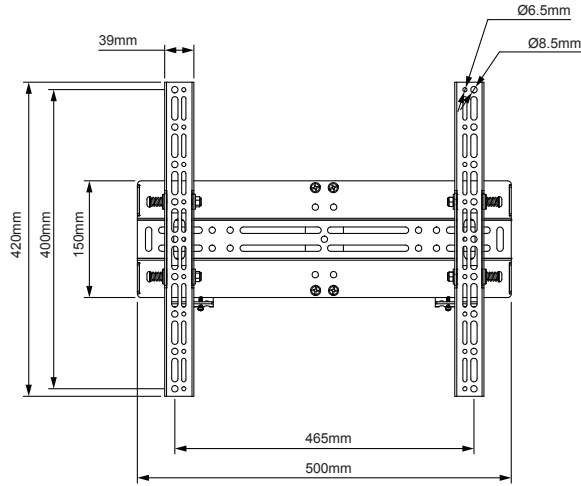
Post installation screen alignment for perfect positioning every time



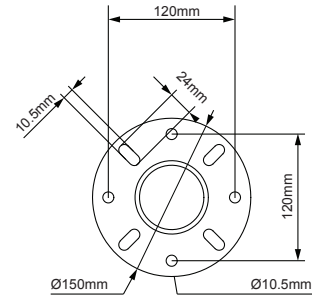
Unique 'Torsion-Tilt' mechanism allows for easy tilt adjustment up to +/-18°



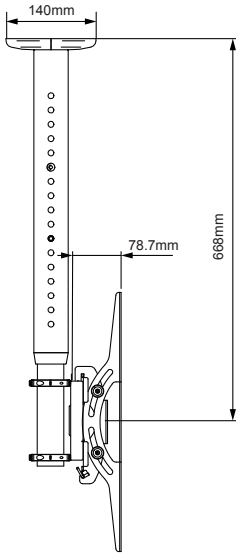
Adjustable ceiling drop in increments of 25mm



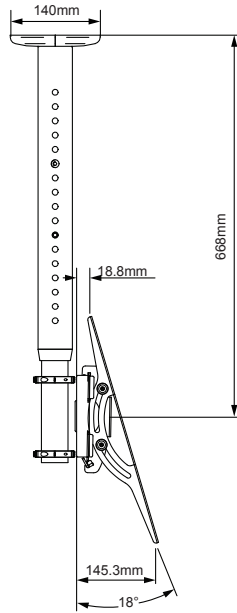
INTERFACE ARMS



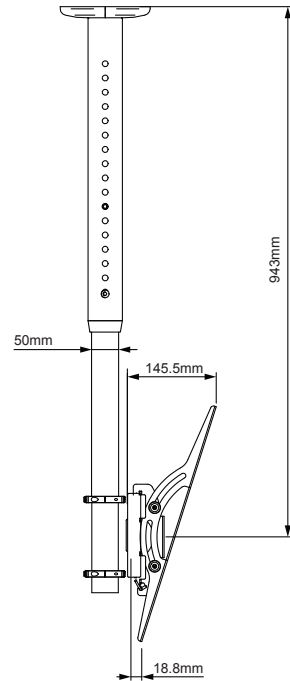
CEILING MOUNT



MINIMUM DROP (NO TILT)



MINIMUM DROP (TILT)

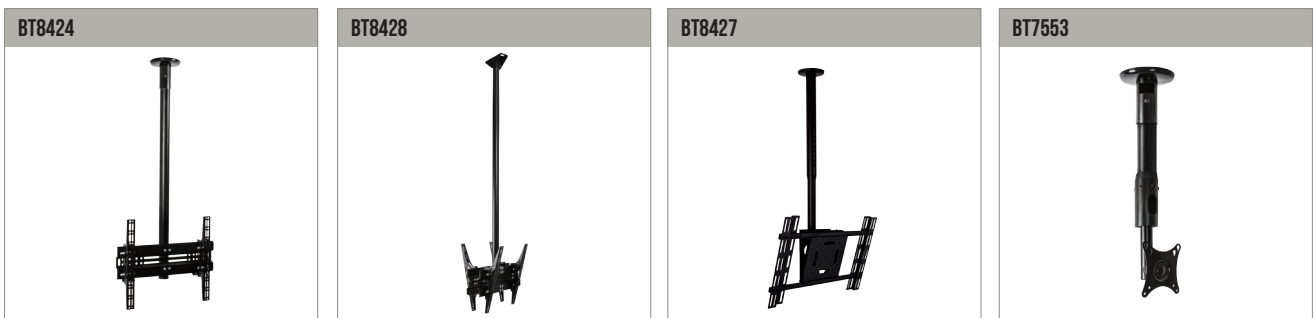


MAXIMUM DROP (TILT)

PACKING INFORMATION

COLOUR:	ORDER REF:	EAN CODE:	MASTER CARTON QTY:	INNER CARTON QTY:	MASTER CARTON WEIGHT:	MASTER CARTON CUBE:
Black	BT8425/B	5019318089798	1	0	8kg	0.02cbm

RELATED PRODUCTS TO THE BT8425



**BT8424**  
Universal Flat Screen Ceiling Mount with Tilt for screens up to 55"

**BT8428**  
Back-to-Back Flat Screen Ceiling Mount with tilt for two screens up to 55"

**BT8427**  
Adjustable Drop Flat Screen Ceiling Mount with tilt for screens up to 65"

**BT7553**  
Flat Screen Ceiling Mount for single screens up to 28"

© 2016 B-Tech International Pty. Ltd. All rights reserved.  
The information in this specification is current technical specifications at the time of print.  
We reserve the right to change the technical or physical specifications without prior notice. This B-Tech International Pty. Ltd. logo and B-Tech logo are registered trademarks of B-Tech International Ltd.  
B-Tech accepts no liability for loss or damage caused by improper or incorrect installation, use, or modification of the product. Any reproduction or transmission or replication of any part of this specification is strictly prohibited unless prior written permission has been granted by B-Tech International Pty. Ltd.

SS-BT8425-V2-080716