



IDEAL FOR
 MULTI-SCREEN
 INSTALLATIONS

BT8390-VESA400T SYSTEM X™ UNIVERSAL INTERFACE ARMS WITH TILT FOR MEDIUM / LARGE SCREENS



Ideal for single row, multi-screen installations, these interface arms are designed to mount small to medium sized screens in a tilted position along System X horizontal mounting rails. The universal design is compatible with a variety of different screens and allows them to be mounted in either landscape or portrait orientations. Levelling screws on each interface arm provide post installation height adjustment and thumbwheels allow easy tool-less adjustment of the tilt angle up to 20°.

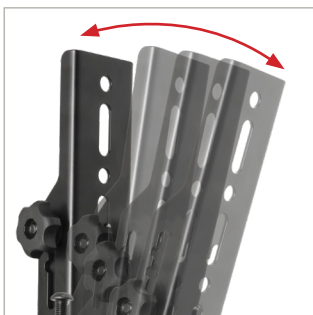
SPECIFICATION

Recommended screen size	39" - 70"
Max load	70kg
VESA® & non-VESA fixings	up to 400mm* (vertical dimension)
Tilt adjustment	up to +20° (in increments of 5°)

*The VESA specification of the BT8390-VESA400T refers to the vertical dimension only. All System X interface arms can be positioned as far along the rail as necessary.

FEATURES

- Ideal for menu boards and other multi-screen installations
- Universal design compatible with most screens
- Suitable for landscape or portrait mounting
- Tool-less thumbwheels for easy adjustment of the tilt angle
- Lateral adjustment - position arms anywhere along the length of the rail
- Includes levelling screws to adjust the screen height
- Safety screws help prevent unauthorised removal of screens
- Simple 'hook-on' installation



Tilt adjustment of up to +20° for enhanced overhead visibility



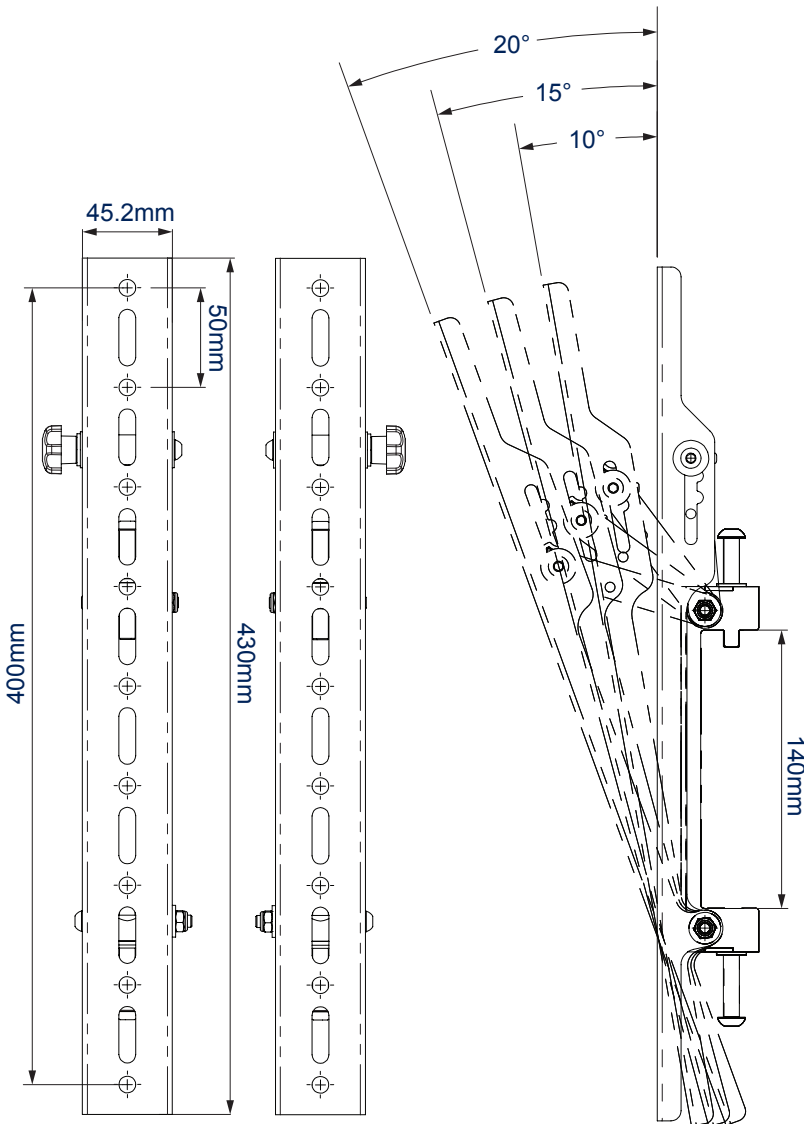
Arms feature levelling screws to adjust the screen height



Safety screws help prevent unauthorised removal of screens

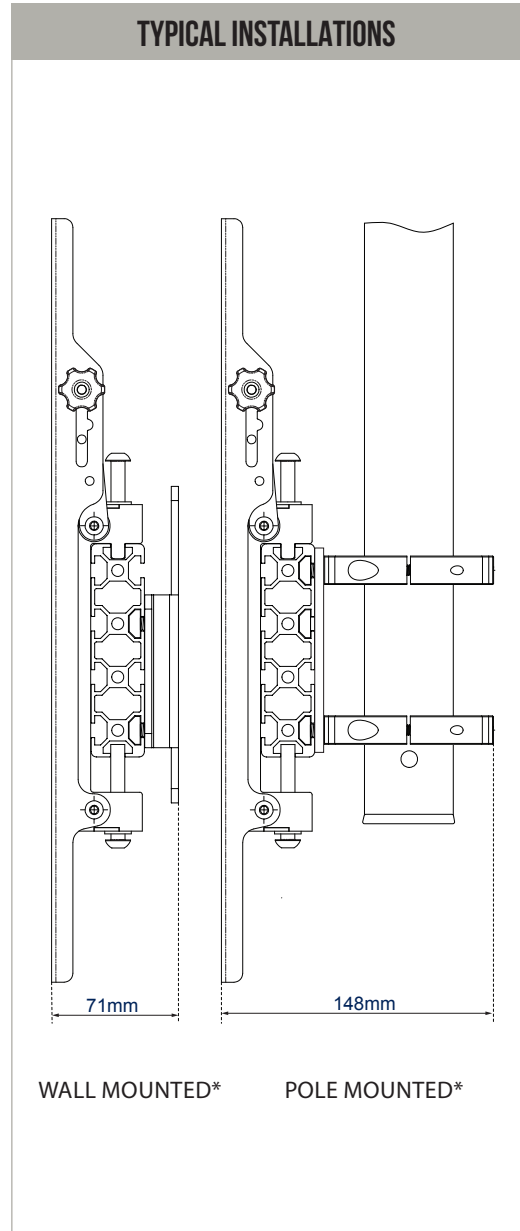


Simple 'hook-on' installation



FRONT VIEW

SIDE VIEW WITH TILT



WALL MOUNTED*

POLE MOUNTED*

PACKING INFORMATION

COLOUR:	ORDER REF:	EAN CODE:	MASTER CARTON QTY:	INNER CARTON QTY:	MASTER CARTON WEIGHT:	MASTER CARTON CUBE:
Black	BT8390-VESA400T/B	5019318501234	8	0	19kg	0.065cbm

*Please note all other components shown in the technical drawings are available separately.

ACCESSORIES AND RELATED PRODUCTS

BT7564



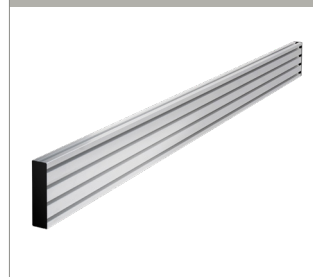
Interface Adaptor Arms for VESA 600 x 400 can be used with VESA 200 or 400 arms to increase the maximum vertical fixings to 600mm for larger screens

BT8390-WFK2



Wall Fixing Kits are used to fix mounting rails securely to the wall

BT8390-030/050/070/150/175/200



Mounting Rails can be attached to columns, walls or poles using System X components

BT8390-VESA400F



VESA 400 Interface Arms are designed to mount medium - large sized screens in a fixed vertical position to mounting rails

© 2015 B-Tech Av Mounts. All rights reserved. The information in this specification is subject to change without notice. B-Tech Av Mounts is a registered trademark of B-Tech Av Mounts. All other trademarks are the property of their respective owners. B-Tech Av Mounts is not responsible for any damage caused by improper or incorrect installation, use, or modification of any part of this specification. B-Tech Av Mounts is not responsible for any damage caused by improper or incorrect installation, use, or modification of any part of this specification. European Trademark No.002741256-0027 SS-V2-BT8390-VESA400T-060122