



BT8311

PROFESSIONAL VIDEO WALL MOUNT

INSTALLATION GUIDE & PARTS LIST

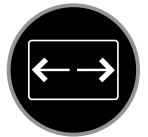
This Pack Contains 1 Mount

PLEASE KEEP THIS PARTS LIST FOR FUTURE REFERENCE



FEATURES

- Designed for flat screens up to 75kg
- Can be used in conjunction with the BT8310
- Modular mount for unlimited wall display configurations
- Fits screens with VESA mounting patterns from 200 x 200mm up to 400 x 400mm
- Includes 600 x 400mm VESA adaptor kit
- VESA 800 x 400mm adaptor kit available separately
- Suitable for landscape or portrait screen mounting
- Tool-less micro-adjustments with 8 knobs for seamless alignment of the wall display
- Integrated cable management
- Screen specific template kit available to order separately for quick and easy screen alignment
- Can also be pole mounted using B-Tech accessory collars



European Trade Mark No: 002445890-0001

CONTENTS

Installation Safety Notes.....	2
Parts List.....	4
Replacing Handwheels.....	5
Interface Adaptors.....	6
Installation Instructions.....	7
Installation Options.....	12
Product Dimensions.....	13
Fit Additional AV Equipment.....	15
B-Tech Contact Details.....	16

INSTALLATION TOOLS REQUIRED

Flathead & crosshead screwdriver



Drill



Drill bit



Pencil



Level



B-TECH AUDIO VIDEO MOUNTS

www.btechavmounts.com

INSTALLATION SAFETY INSTRUCTIONS



CAUTION: This wall mount is intended for use only with the maximum weights indicated. Use with flat screens heavier than the maximum indicated may result in instability causing possible injury.

Do not attempt to install this product until all instructions and warnings have been read and properly understood. Please keep these instructions for future reference.

Please check carefully to make sure there are no missing or defective parts - defective parts must never be used. B-Tech International Limited, its distributors and dealers are not liable or responsible for damage or injury caused by improper installation, improper use or failure to observe these safety instructions. In such cases, all guarantees will expire.

General

B-Tech International Ltd recommends that a professional AV installer or other suitably qualified person install this product. Great care must always be taken during installation as most AV equipment is of a fragile nature, possibly heavy and easily damaged if dropped.

If you do not fully understand the instructions or are not sure how to install this product safely, then please consult a professional for advice and/or to install this product for you. Failure to mount this product correctly may cause serious injury or death both during installation and at any time thereafter.

Do not mount any AV equipment that exceeds the specific weight limit of the product you are installing.

This weight limit will be clearly stated on each product and its packaging and will vary from product to product.

Product location

Please pay careful attention to where this product is located. Check load capacity of wall prior to installation as some walls are not suitable for installation. Designed for indoor use, this mount is suitable for public or home installation. If located in a public or frequently populated area ensure that the product is out of the immediate reach of people. If any AV equipment is to be suspended over the likely path or location of people then great care should be taken to secure all parts of the installation from falling. If you install this product on drywall it must be securely fixed to a wooden stud, concrete block or other permanent structure behind the drywall board. Installing on drywall boards alone will not support the weight of most AV equipment.

When drilling holes in walls it is essential to avoid contact with electrical cables and water or gas pipes contained within. Use of a good quality live wire detector and hidden object locator is therefore recommended. Only drill into structures when you are sure it is safe to do so.

Fixing hardware

It is highly recommended that all wall fixing screws be used where supplied and that the purpose of all other fixing hardware is fully understood. In some cases more AV equipment fixing hardware will be supplied to accommodate different models of equipment and set up configurations.

The installer must be satisfied that any supplied fixing hardware is suitable for each specific installation. If any fixing screws or included hardware are deemed not sufficient for a safe installation then please consult a professional or your local hardware store.

Hazard limitation

When routing cables take advantage of any built in cable management features that the product might provide and ensure that all cables are tidy and secure. Check to see that any moving aspect of the product can do so unhindered by any cabling.

Some products have moving parts and the potential to cause injury through the crushing or trapping of fingers or other body parts.

Particular attention to the nature of moving parts is required especially when assembling installing and adjusting during set up.

Immediately after installations double-check that the work done is safe and secure. Double-check all necessary fixings are present and are of ample tightness.

It is recommended that periodic inspections of the product and its fixing points are made as frequently as possible to ensure that safety is maintained. If in doubt consult a professional AV installer or other suitably qualified person.

CS

Společnost B-Tech International Ltd. doporučuje provést instalaci tohoto produktu prostřednictvím odborného instalátora AV či jinak způsobilé osoby. Společnost B-Tech International Ltd, její distributoři a prodejci nenesou odpovědnost za škody nebo zranění způsobená nevhodnou instalací. Tento výrobek je nutno umístit do vhodné konstrukce a používat jen po uvedené maximální výšce.

DE

B-Tech International Ltd. empfiehlt, dass dieses Produkt durch einen qualifizierten AV-Techniker oder eine andere Person mit geeigneter Qualifikation installiert wird. B-Tech International Ltd, ihre Distributoren und Händler können nicht für durch fehlerhafte Montage verursachte Beschädigung oder Verletzung haftbar bzw. verantwortlich gemacht werden. Dieses Produkt muss auf einen geeigneten Untergrund montiert werden und darf nur bis zum angegebenen Höchstgewicht verwendet werden.

ES

B-Tech International Ltd. recomienda que un instalador de audio y video profesional u otra persona debidamente cualificada instalen este producto. B-Tech International Ltd, sus distribuidores y concesionarios no se hacen cargo ni se responsabilizan de ningún daño o lesión provocados por una instalación inapropiada. Este producto se debe montar en una estructura adecuada y se debe utilizar soportando solamente hasta el peso máximo indicado.

FR

B-Tech International Ltd. recommande de confier l'installation de ce produit à un installateur AV professionnel ou à une autre personne dûment qualifiée. B-Tech International Ltd, ses distributeurs et ses revendeurs ne sauraient être tenus responsables de tout dégât ou de toute blessure résultant d'une installation incorrecte. Ce produit doit être monté sur un support approprié et utilisé dans la limite du poids maximum indiqué.

IT

B-Tech International Ltd. consiglia di affidare l'installazione di questo prodotto a un installatore specializzato o ad altra persona adeguatamente qualificata. B-Tech International Ltd, i suoi distributori e rivenditori non accettano alcuna responsabilità nei riguardi di eventuali danni o infortuni causati da un'errata installazione. Questo prodotto deve essere fissato a una struttura idonea e utilizzato unicamente sino al peso massimo indicato.

NL

B-Tech International Ltd. adviseert om dit product te laten installeren door een professionele AV-instalateur of andere hiervoor gekwalificeerde persoon. B-Tech International Ltd, haar distributeurs en dealers zijn niet aansprakelijk of verantwoordelijk voor schade of letsel die is veroorzaakt door onoordeelkundige installatie. Dit product moet worden gemonteerd aan een geschikte constructie, waarbij het aangegeven maximum gewicht niet mag worden overschreden.

PL

Firma B-Tech International Ltd. zaleca, aby ten produkt był instalowany przez profesjonalnych instalatorów AV lub inny odpowiednio przeszkolony personel. Firma B-Tech International Ltd, jej dystrybutorzy i dealerzy nie ponoszą odpowiedzialności za uszkodzenia lub obrażenia ciała powstałe w wyniku nieprawidłowej instalacji. Niniejszy produkt musi być zamontowany na odpowiedniej powierzchni, a podczas użytkowania nie wolno przekraczać podanego maksymalnego obciążenia.

PT

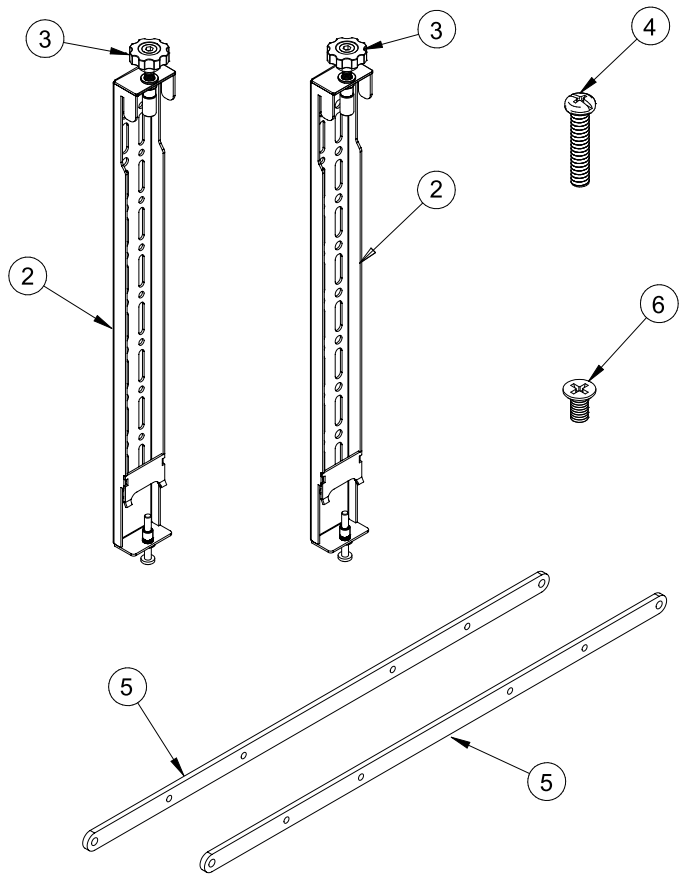
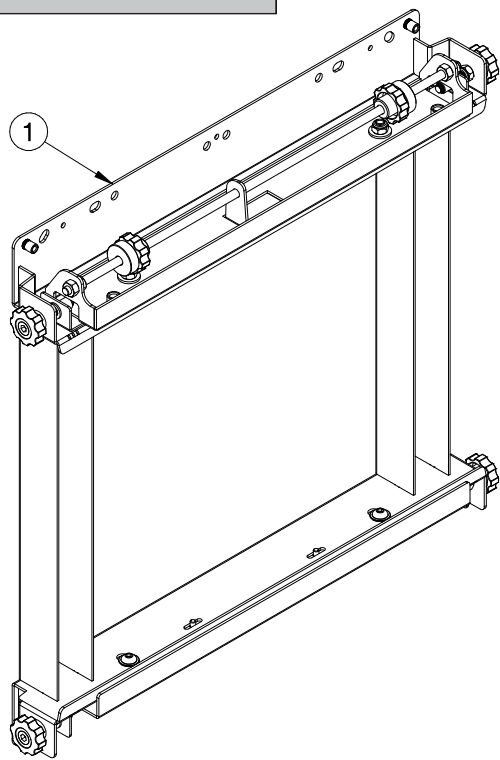
A B-Tech International Ltd. recomenda que a instalação deste produto seja efectuada por um instalador de AV profissional ou outra pessoa devidamente habilitada. A B-Tech International Ltd. e os seus distribuidores e concessionários não são responsáveis por danos ou lesões causados por uma instalação incorrecta. Este produto tem de ser montado numa estrutura adequada e utilizado somente até ao peso máximo indicado.

RU

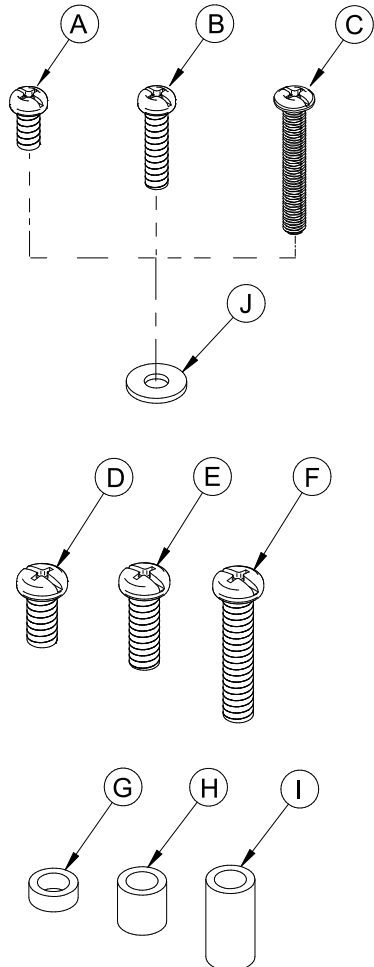
Компания B-Tech International Ltd. рекомендует, чтобы установка данного изделия производилась инженером по установке аудио-видеотехники или другим специалистом с соответствующей квалификацией. Компания B-Tech International Ltd., ее дистрибьюторы и дилеры не несут ответственности за повреждения или травмы, полученные в результате неправильной установки. Данное изделие должно

توصي بي-تك للتجارة الدولية المحدودة بأن شخص محترف في تركيب ال AV أو شخص مؤهل تأهيلا مناسباً لتركيب هذا المنتج بي-تك للتجارة الدولية، موزعها والتجار ليست عرضة أو مسؤولة عن الأضرار أو الإصابات الناجمة عن تركيب غير سليم، والاستخدام غير السليم أو عدم مراعاة هذه التعليمات للسلامة. يجب أن يتم تركيب هذا المنتج في بنية مناسبة ويجب استخدام فقط لدعم الحد الأقصى للوزن المشار إليه.

BT8311 PARTS LIST



FLAT SCREEN INTERFACE KIT (FOR ATTACHING MOUNT TO BACK OF FLAT SCREEN)



Suitable for loads up
to 75kg

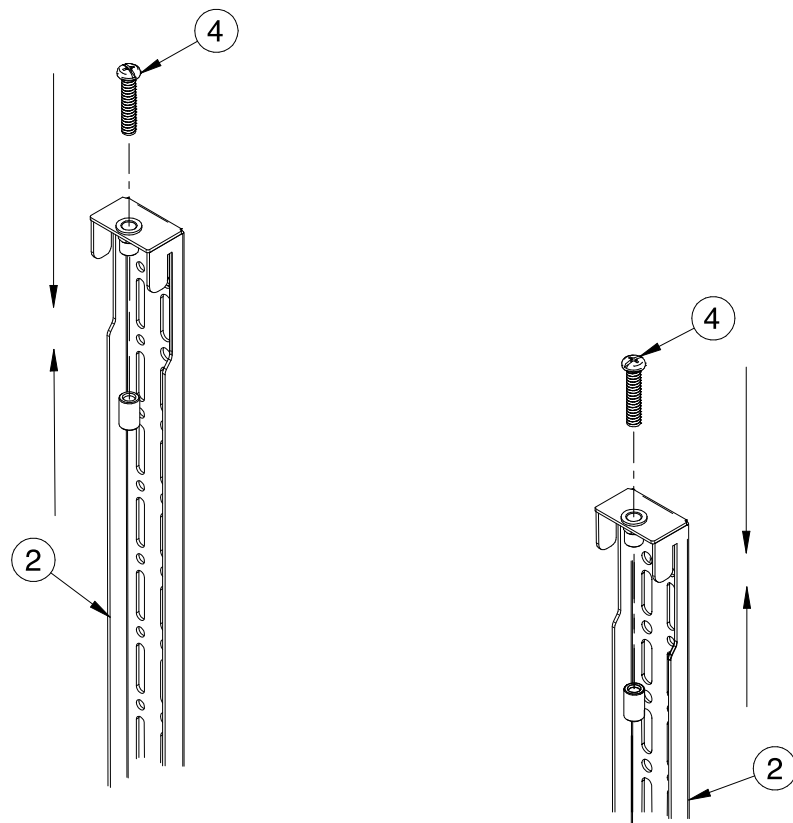
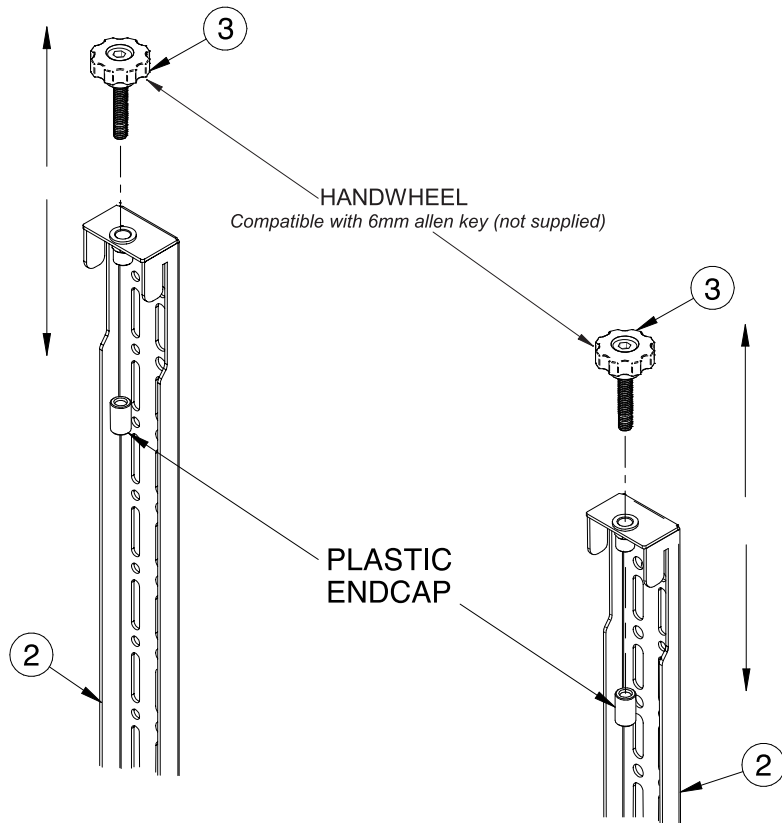
REF	PART NAME	QTY
1	WALL MOUNT	1
2	INTERFACE ARM	2
3	HANDWHEEL	2
4	M8 x 40mm SCREW (OPTIONAL)	2
5	600mm ADAPTOR ARM	2
6	M6 x 12mm SCREW	4
INTERFACE KIT		
A	M6 x 16mm SCREW	4
B	M6 x 25mm SCREW	4
C	M6 x 40mm SCREW	4
D	M8 x 16mm SCREW	4
E	M8 x 25mm SCREW	4
F	M8 x 40mm SCREW	4
G	M8 x 5mm SPACER	4
H	M8 x 13mm SPACER	4
I	M8 x 25mm SPACER	4
J	M6 WASHER (FOR PARTS A & B)	4

IMPORTANT: FIXING SCREWS ARE NOT INCLUDED WITH THIS PRODUCT.

B-TECH HIGHLY RECOMMEND THIS PRODUCT BE INSTALLED BY A SUITABLY QUALIFIED PERSON. THE INSTALLER MUST BE SATISFIED THAT THE TYPE OF FIXINGS USED ARE SUITABLE FOR THE TYPE OF WALL THE PRODUCT IS TO BE MOUNTED TO. CARE MUST BE TAKEN AS TO WHERE THIS PRODUCT IS LOCATED AS SOME WALLS ARE NOT SUITABLE FOR INSTALLATION. WHEN DRILLING HOLES KNOWLEDGE MUST BE OBTAINED TO AVOID CONTACT WITH ANY ELECTRICAL CABLES AND/OR GAS AND WATER PIPES CONTAINED WITHIN THE WALL.

REPLACE HANDWHEELS (OPTIONAL)

When the BT8311 is used with smaller screens, it is possible the handwheels will be visible above the top of the screens. The handwheels (part 3) can be replaced with M8 x 40mm screws (part 4) to avoid this if required.



VESA 600 x 400mm INTERFACE ADAPTORS

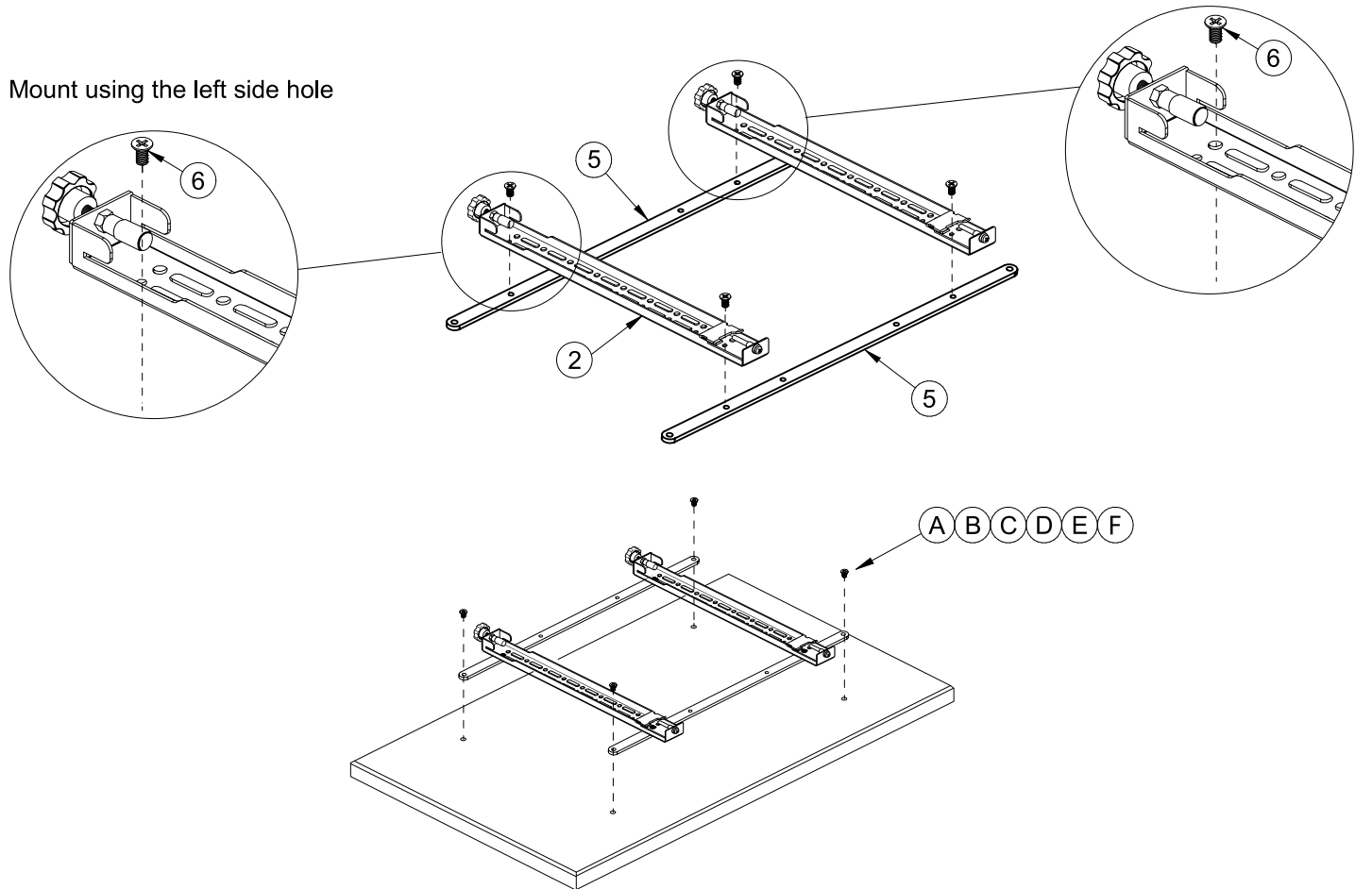
The BT8310 interface arms (part 2) can mount screens with fixing patterns from 200 x 200mm up to 400 x 400mm.

To mount flat screens with VESA 600 x 400mm fixings use the adaptor arms (part 5).
For screens with 800 x 400mm fixings use BT8310-AD86 interface adaptor (*not included*).

Landscape Mounting

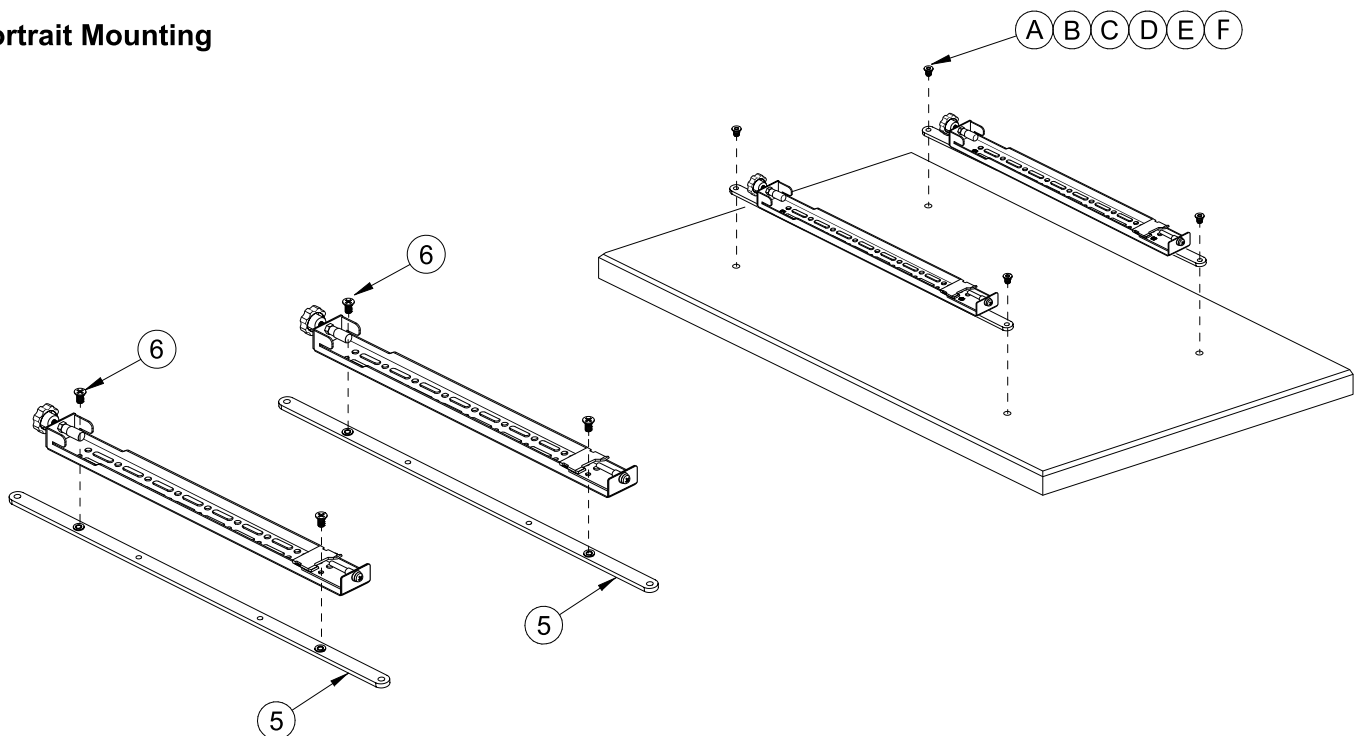
Mount using the right side hole

Mount using the left side hole



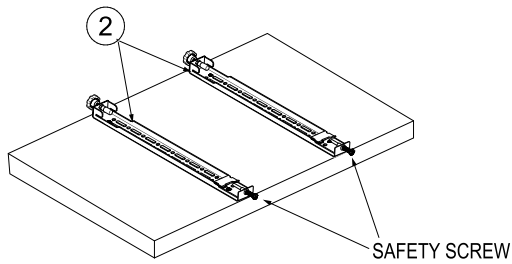
Portrait Mounting

A B C D E F



INSTALLATION INSTRUCTIONS

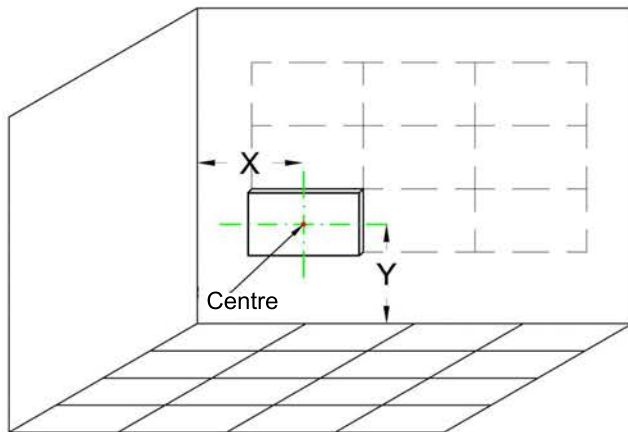
1. Attach the interface arms to the flat screen.



1.1 Completely loosen the two safety screws.

1.2 Fix the interface arms (part 2) to the back of the flat screen using parts A - J.

2. Install the first mount.



2.1 Determine the centre of the first flat screen at the bottom left.

When the BT8311's are wall mounted and the screens are more than 2 rows high, use with alternate rows of the BT8310 push to release mounts (as shown in the matrix below) for a quicker installation and to allow post install front service access.

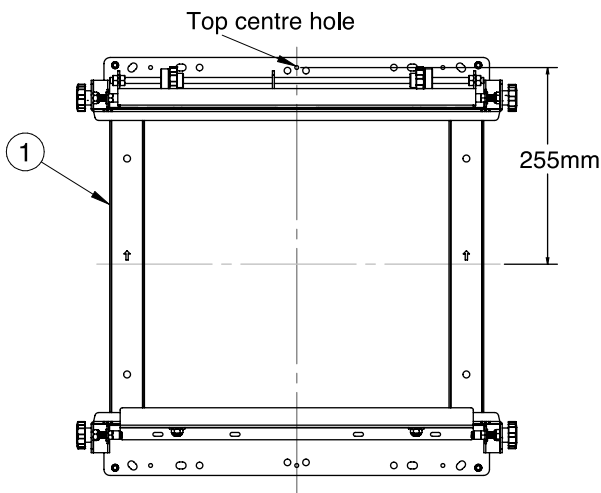
BT8311	BT8311
BT8310	BT8310
BT8311	BT8311

BT8310	BT8310
BT8311	BT8311
BT8310	BT8310
BT8311	BT8311

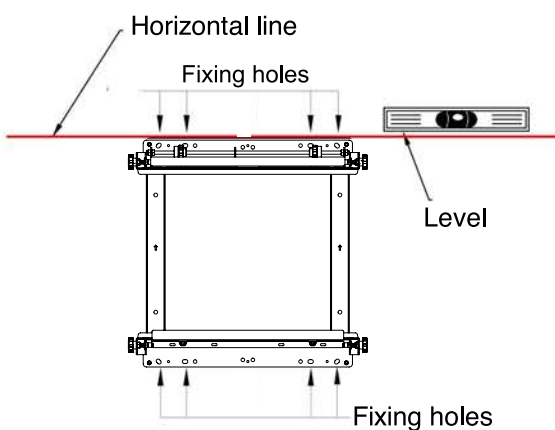
BT8311	BT8311
BT8310	BT8310
BT8311	BT8311
BT8310	BT8310
BT8311	BT8311

Note:

Please stick on the labels with BT8310 / BT8311 (provided) somewhere visible to show which screens are using the BT8310 and which screens are using the BT8311. This will be useful for when the screens need to be serviced.

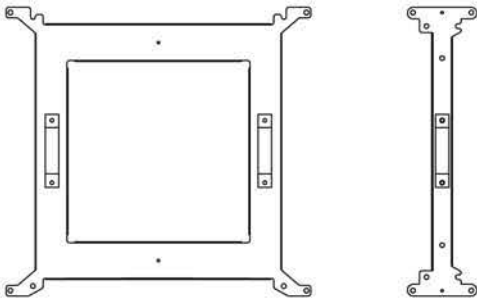


2.2 Mark 255mm up from centre to mark the top centre hole.



2.3 Fix the wall mount to the wall (use the horizontal line as a guide) and use holes with suitable wall fixings (not supplied).

3. Mounting Spacer Kits.



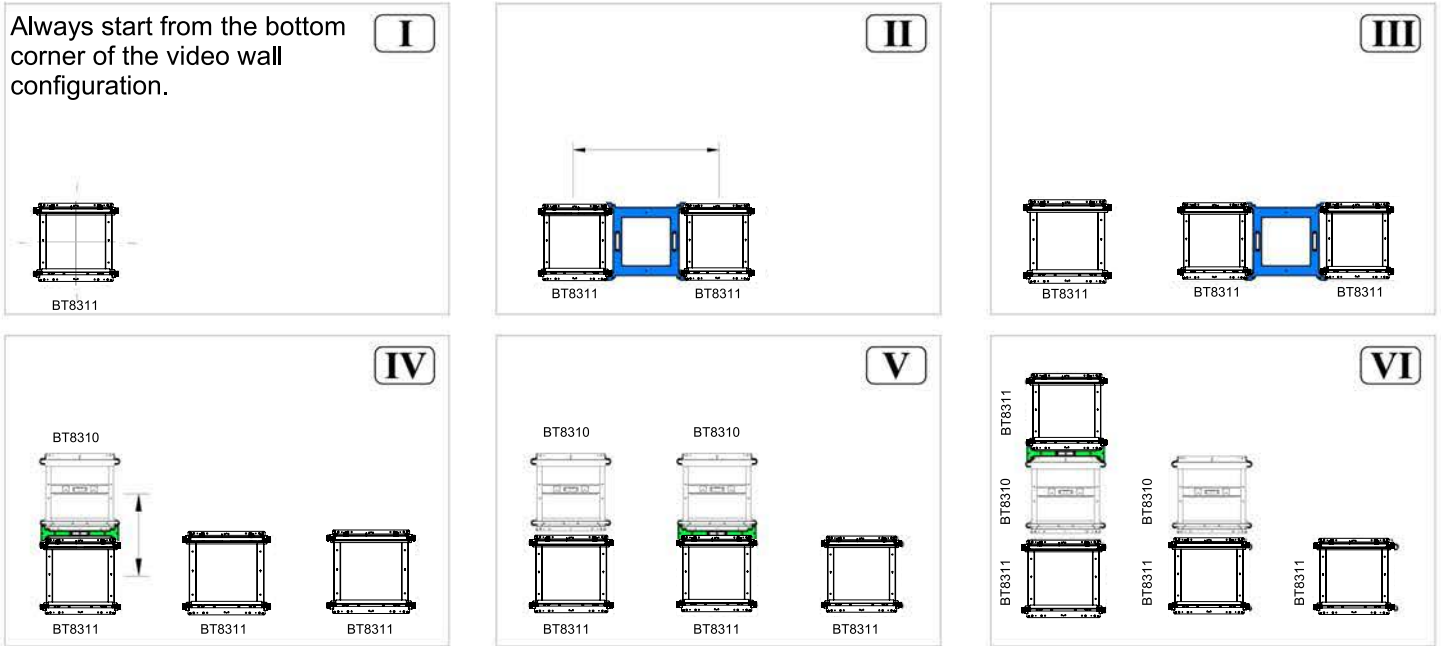
For quick and easy installation of the video wall mounts, it is advised that a mounting spacer kit is used (not included). A different kit is required for each different flat screen size.

For current spacer listings and compatible flat screen models, please visit www.btechavmounts.com/BT8311

SCREEN SIZE	SCREEN DIMENSIONS	SPACER
42"	961 x 555mm	BT8310-SP422/N
42"	966 x 559mm	BT8310-SP423/N
42"	973 x 565mm	BT8310-SP424/N
46"	1022 x 576mm	BT8310-SP464/N
46"	1024 x 576mm	BT8310-SP461/N
46"	1026 x 580mm	BT8310-SP461/N
46"	1026 x 578mm	BT8310-SP461/N
46"	1030 x 585mm	BT8310-SP462/N
46"	1056 x 612mm	BT8310-SP463/N
47"	1045 x 590mm	BT8310-SP471/N
47"	1047 x 592mm	BT8310-SP471/N
47"	1080 x 625mm	BT8310-SP472/N
49"	1077 x 607mm	BT8310-SP491/N
55"	1215 x 686mm	BT8310-SP551/N
55"	1211 x 682mm	BT8310-SP554/N
55"	1222 x 693mm	BT8310-SP552/N
55"	1248 x 719mm	BT8310-SP553/N
60"	1336 x 755mm	BT8310-SP601/N

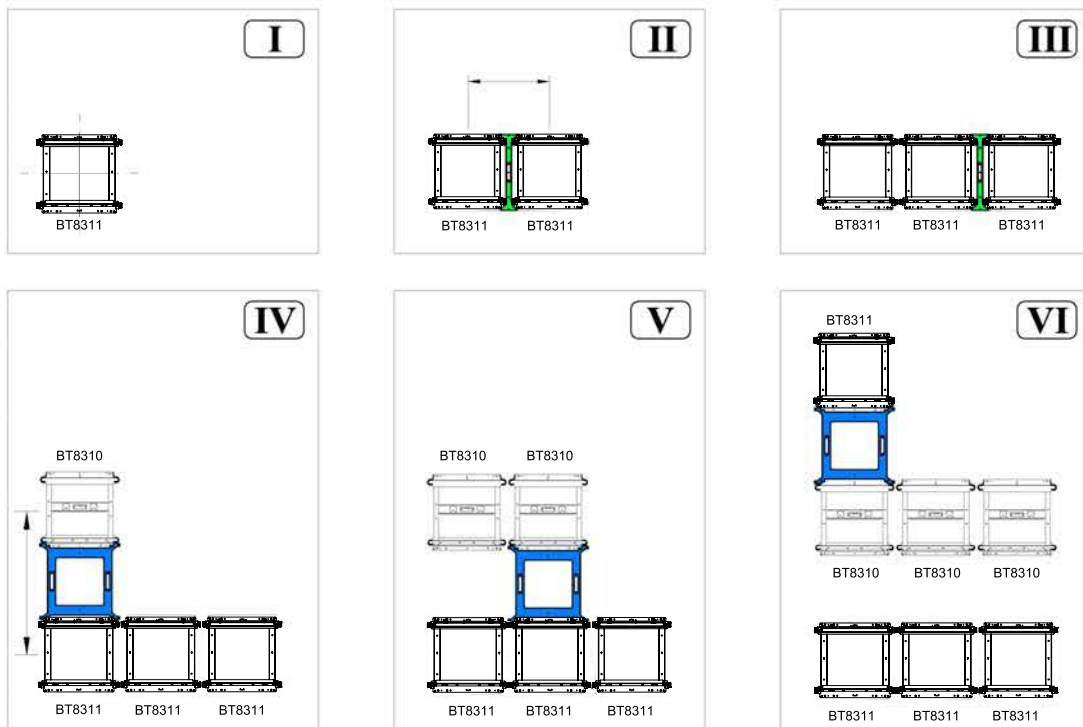
Example of landscape flat screen mounting with spacers.

Always start from the bottom corner of the video wall configuration.



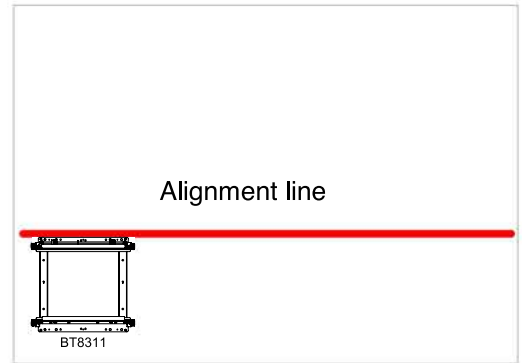
Example of portrait flat screen mounting with spacers.

Always start from the bottom corner of the video wall configuration.



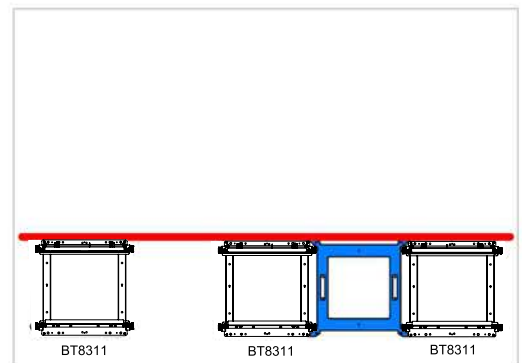
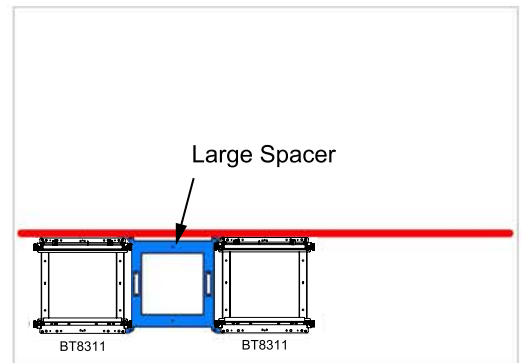
4. Installation and alignment of the additional mounts.

4.1 Once the first wall mount has been installed, draw a horizontal alignment line or use a laser level to get the alignment line as shown.



4.2 Using the large spacer, place the second wall mount as shown whilst being careful to keep on the alignment line.

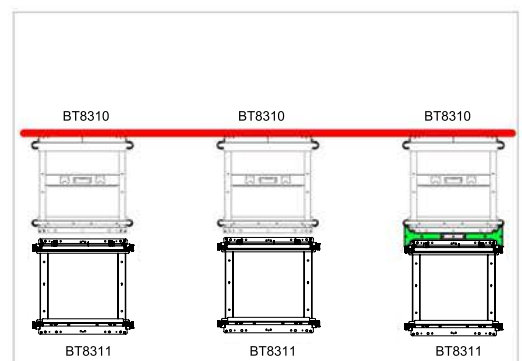
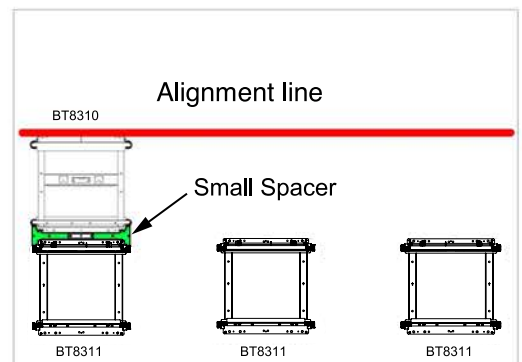
Repeat this step to mount the additional wall mounts on this row.



4.3 Using the small spacer, place the first wall mount of the next row.

Draw another horizontal alignment line or use a laser level to get the alignment line as shown.

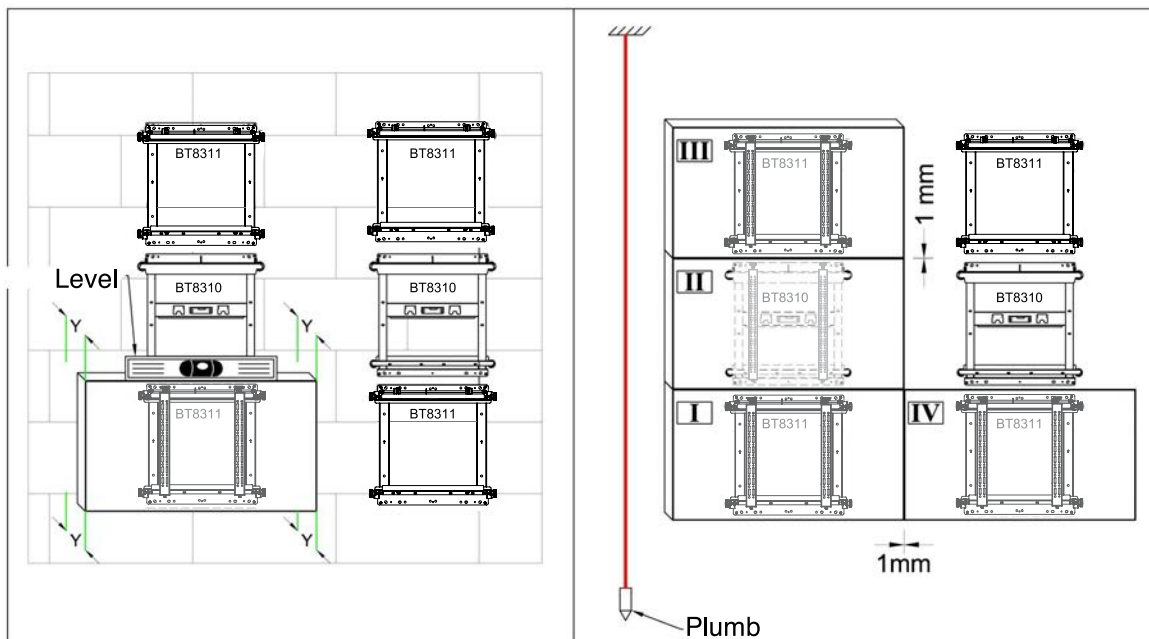
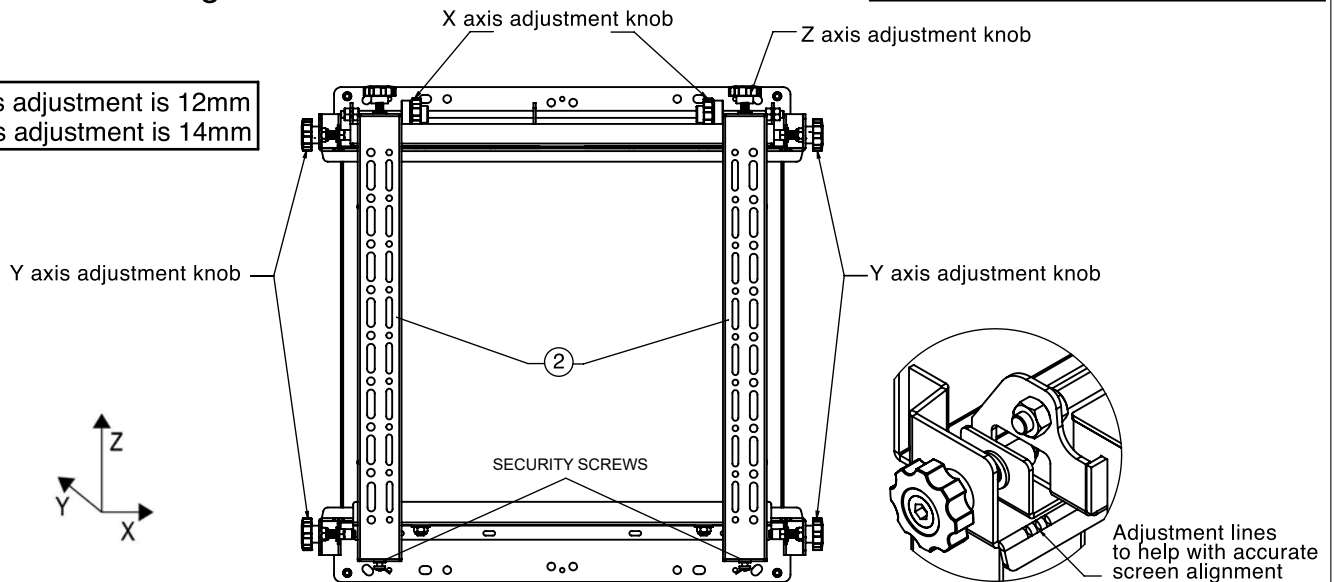
Mount the additional wall mounts.



5. Flat screen alignment.

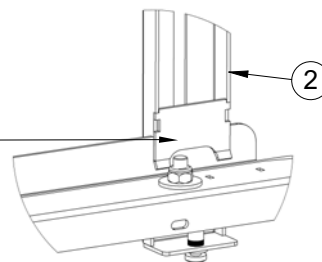
Adjustment knobs are also compatible with 6mm allen key (not supplied)

Total Z axis adjustment is 12mm
Total Y axis adjustment is 14mm



5.1 Hook the first flat screen onto the bottom left wall plate first. keep the x axis knobs between the middle of the two interface arms (part 2).

Ensure the bottom interface arm hooks are on properly.



5.2 Check the horizontal centre of the flat screen is aligned with the horizontal centre of the wall mounts.

5.3 Using a level, align the flat screen parallel to the floor using the Z axis adjustment knobs.

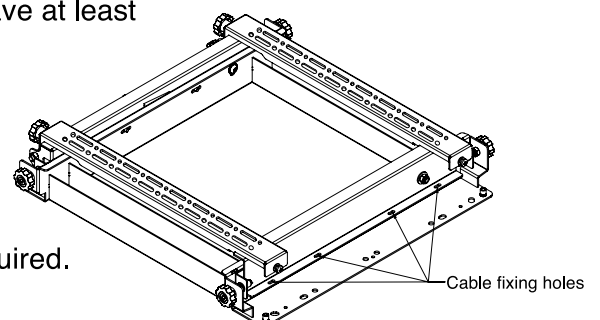
5.4 Use the Y axis knob to ensure that each corner of the flat screen is equidistant from the wall.

5.5 Use a plumb to align the first column of flat screens and leave at least a 1mm gap between them.

5.6 Hook on the remaining flat screens leaving at least 1mm gap between them.

5.7 When the monitors are all positioned correctly, tighten the safety screws which were previously loosened.

5.8 Fix cables using the cable fixing holes and cable ties if required.

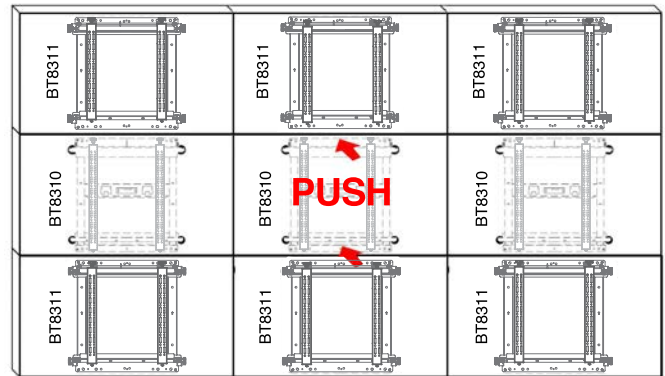


6. Servicing the flat screens.

To gain access to the screens with BT8311 mounts, you will have to pop out the screens mounted on the BT8310's.

6.1 Push the screen mounted on the BT8310; the mount will release and move out from the wall.

To quickly identify which mount (BT8310 or BT8311) the screen is fixed to and to determine if it can be popped out or not, please refer to the labels (from page 7) stuck on the screens.



Push central at the top and bottom of the screen on the bezel.

*Be careful not to damage the screen when pushing.
Keep hold of the screen as it moves outwards.*

6.2 Screen mounted on BT8310 shown in the service position.

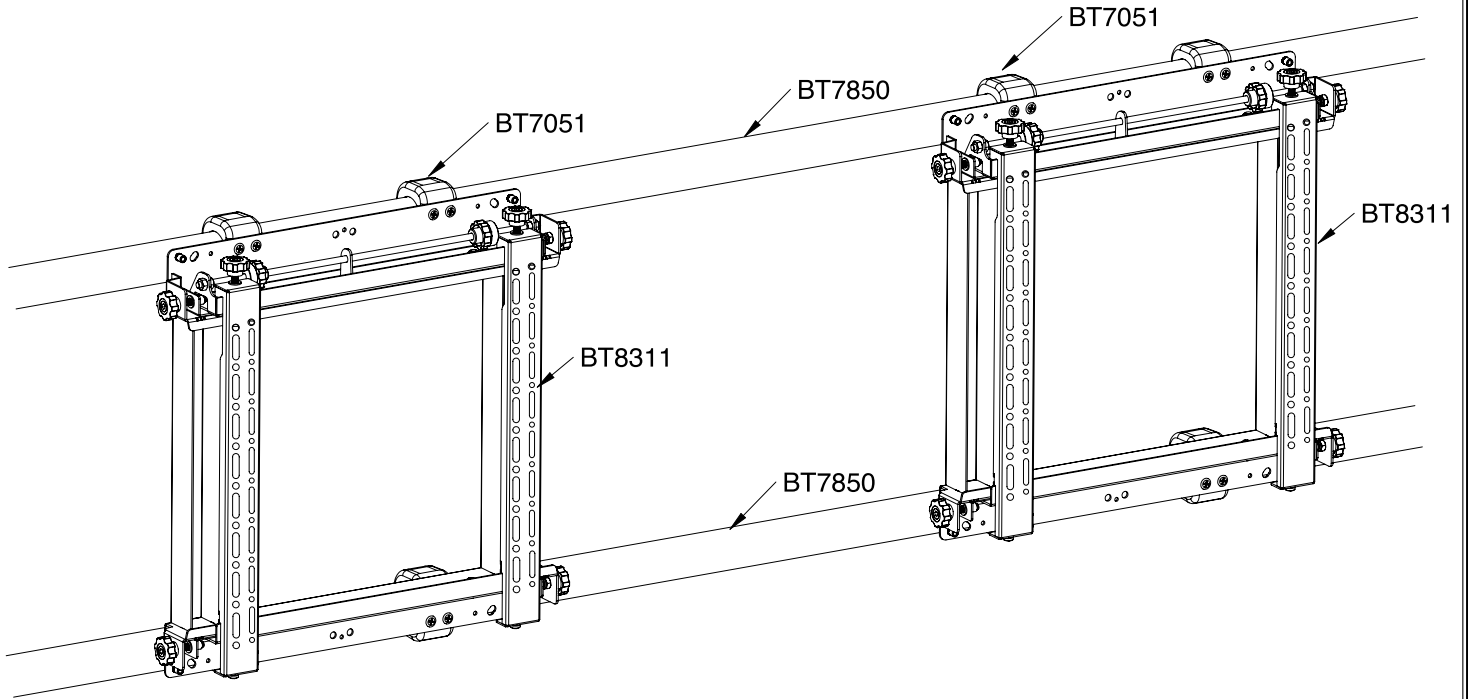


6.3 When servicing is complete, push the screen/s mounted on the BT8310 back and click into place.

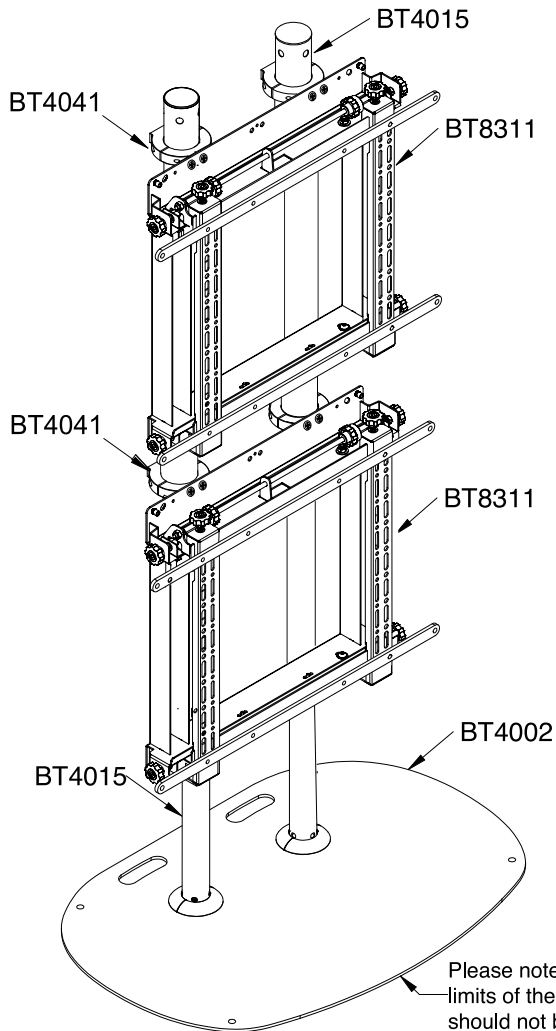


INSTALLATION OPTIONS

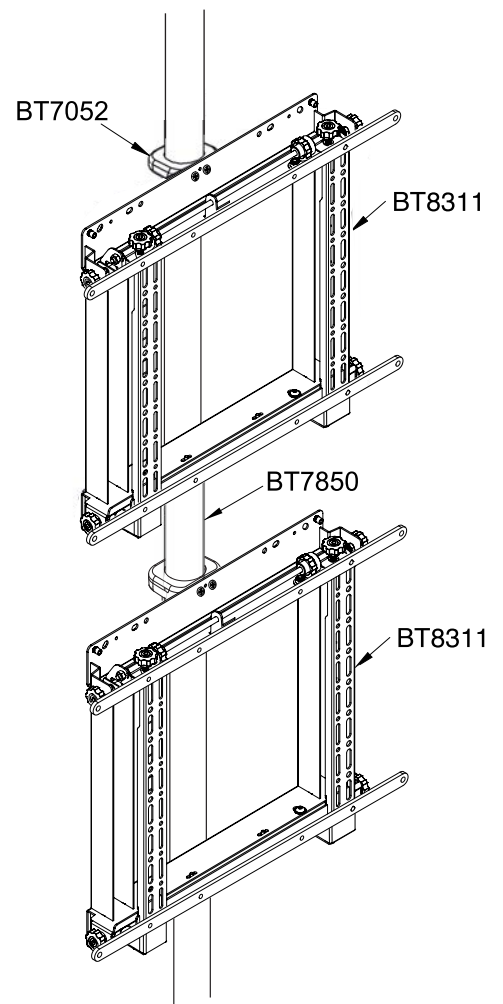
Horizontal Pole Installation



Double Vertical Pole Installation

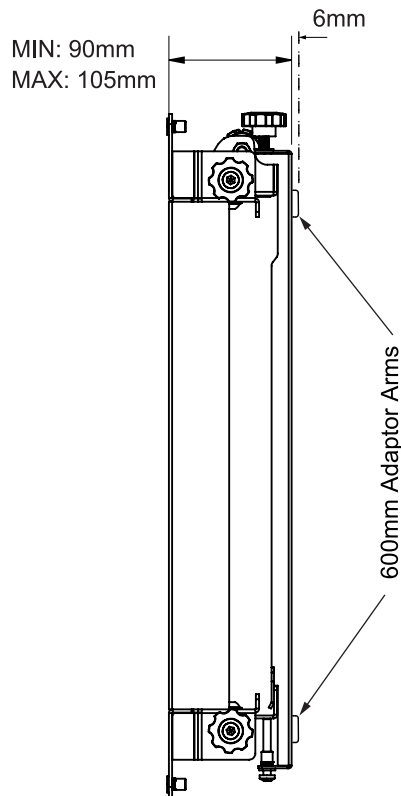
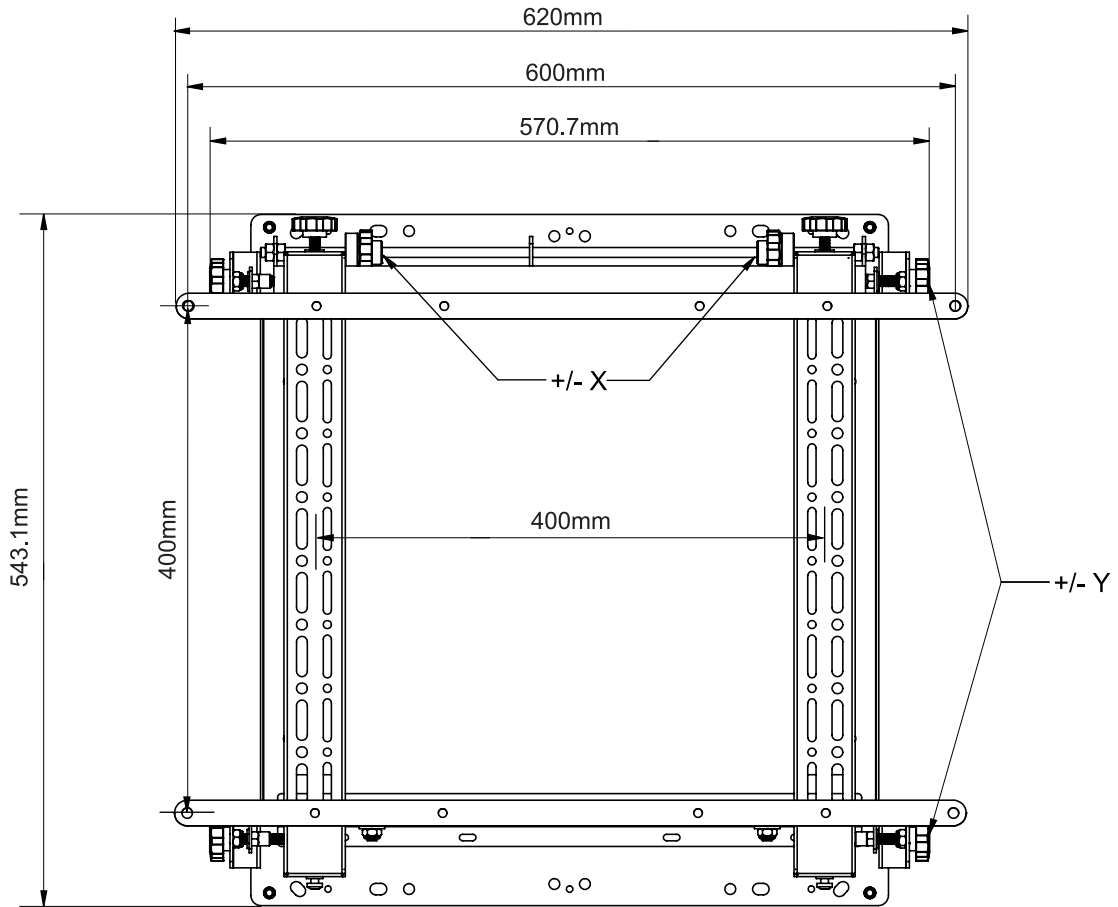


Single Vertical Pole Installation



BT8311

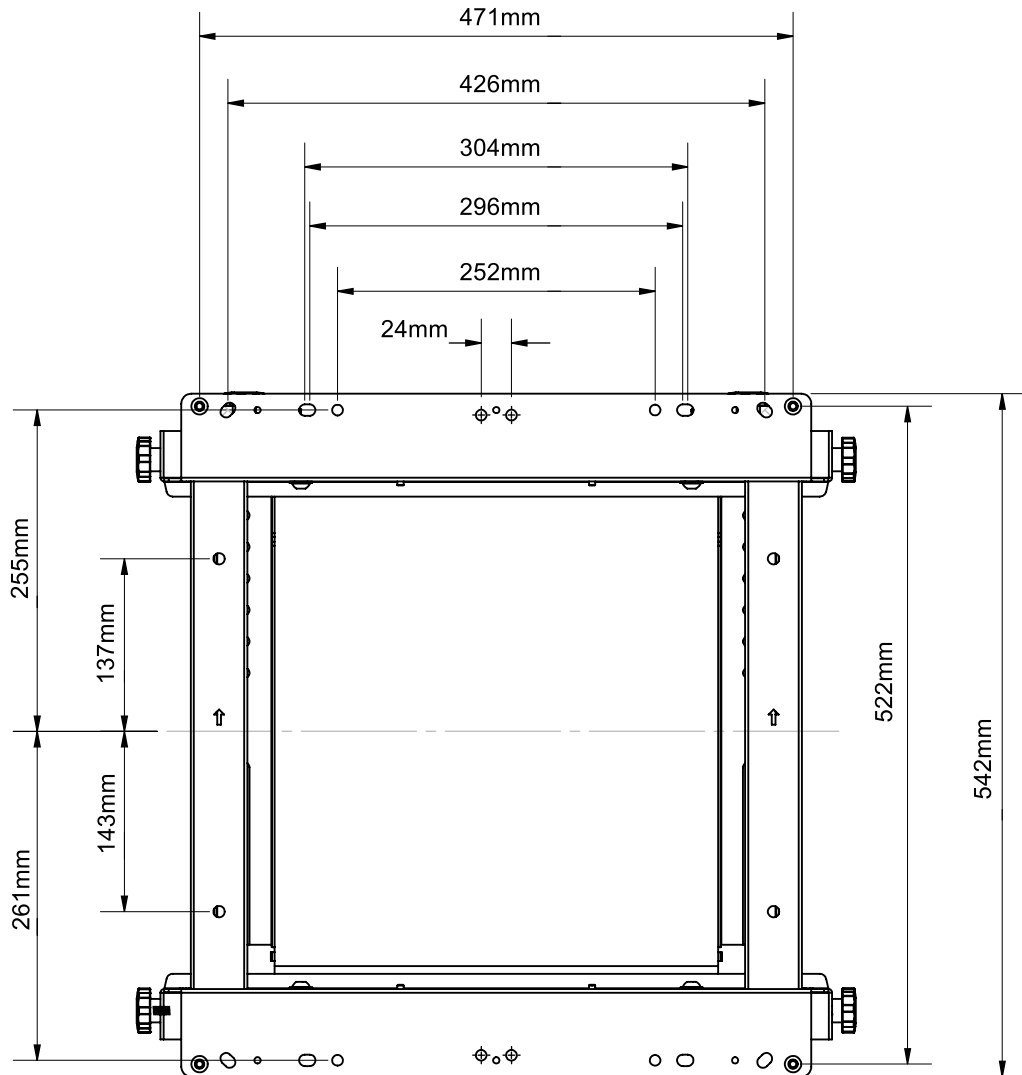
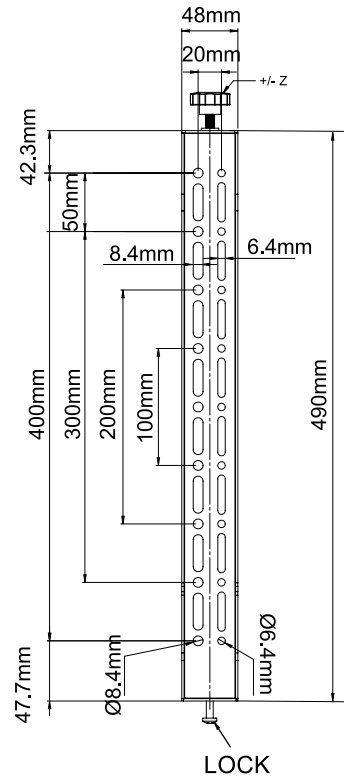
PRODUCT DIMENSIONS



WARNING
FIX / TIE THE CABLES TO
PREVENT POSSIBLE DAMAGE

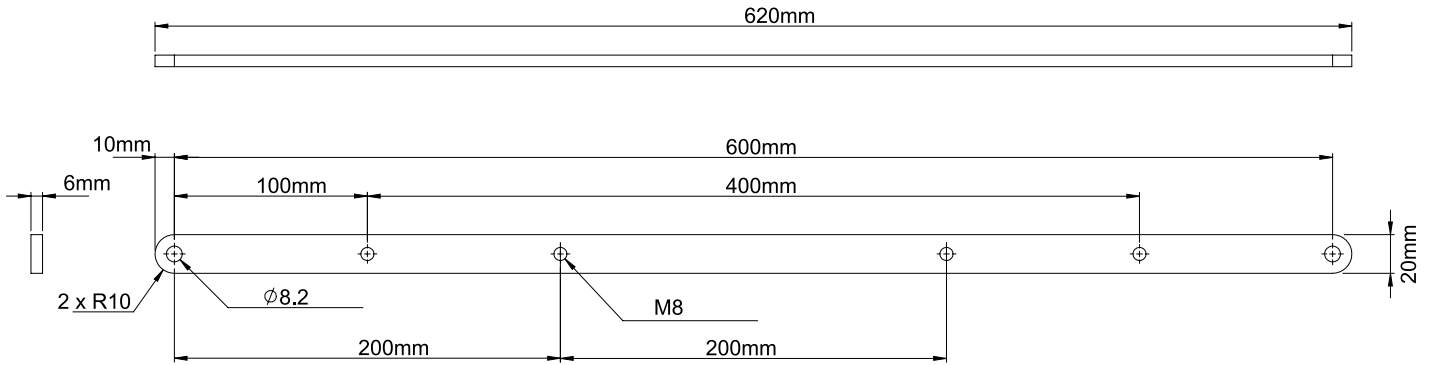
THESE INSTRUCTIONS ARE INTENDED AS A GUIDE ONLY AND B-TECH ACCEPTS NO LIABILITY FOR THE ACCURACY OF THE INFORMATION CONTAINED IN THIS DOCUMENT.

BT8311 PRODUCT DIMENSIONS



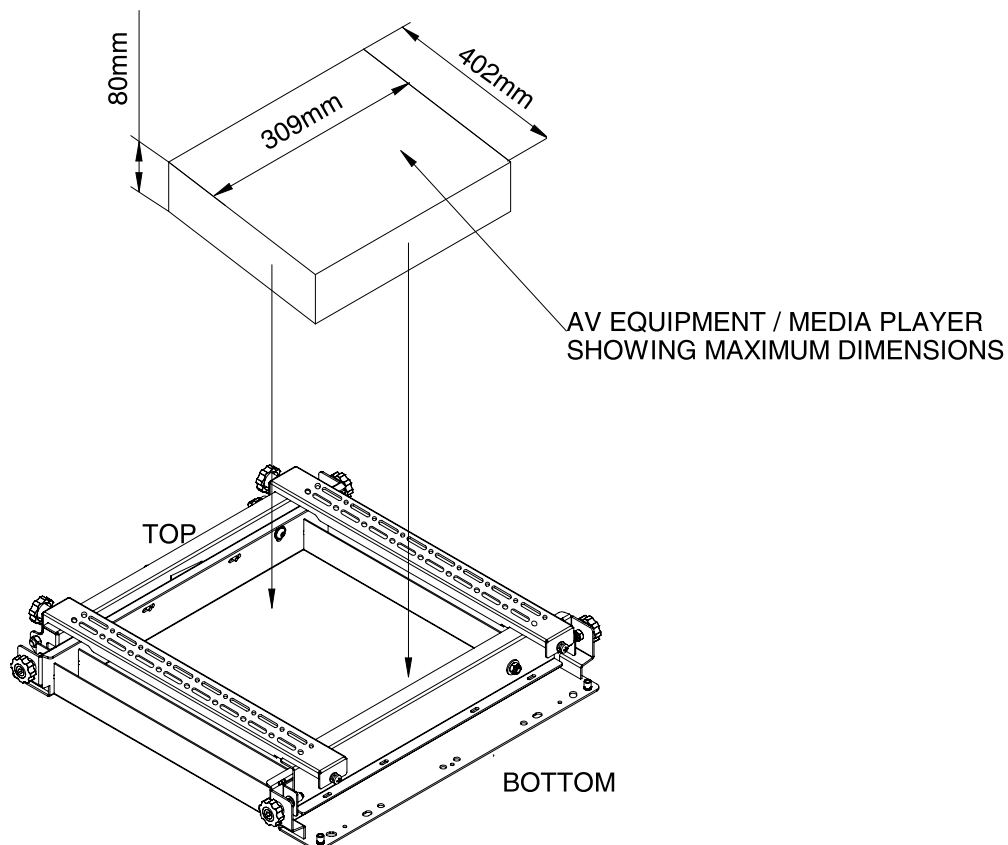
BT8311 PRODUCT DIMENSIONS

600mm Adaptor Arm



FIT ADDITIONAL AV EQUIPMENT

There is one large available space for AV equipment / media players to be fitted within the mount.





www.btechavmounts.com

B-TECH AUDIO VIDEO MOUNTS

HEAD OFFICE

B-Tech International Limited

Bennett House, Long March, Daventry, Northants., NN11 4NR, UK

Email: info@btechavmounts.com

©2017 B-Tech International Design And Manufacturing Limited. All rights reserved.
B-Tech Audio Video Mounts is a division of B-Tech International Design And Manufacturing Limited.
B-Tech & Better By Design are registered trademarks of B-Tech International Design And Manufacturing Limited.
All other brands and product names are trademarks of their respective owners.
Photographs are for illustrative purposes only. E&OE.