

# BASE-139-W

## SPECIFICATIONS

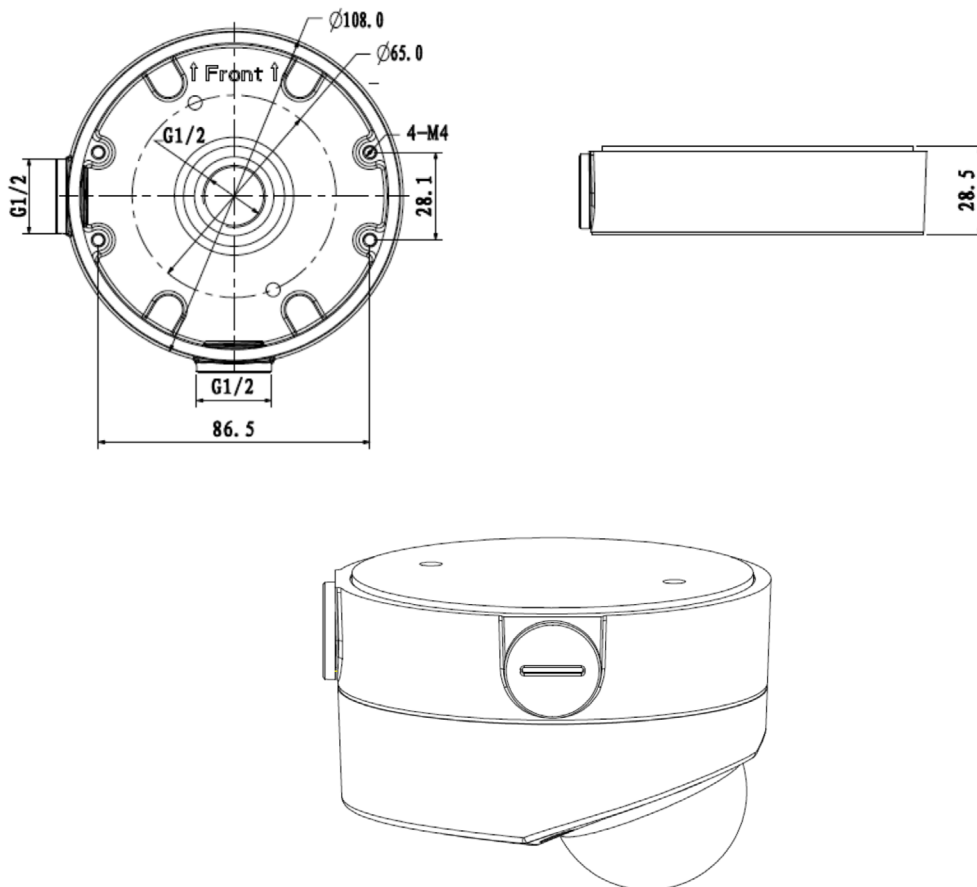
Material	Aluminium
Dimension (W x D x H)	161x38mm
Inch Thread	M20(G1/2")
Operating Temperature	-40°C -60°C
Humidity	0-90% RH
Load Bearing	1.0Kg
Weight	0.15Kg
Colour	White
Compatible With	Refer to relevant camera(s) sales documents



## FEATURES

Material	Aluminium
Colour	White
Type	Junction Base
Environmental	Weatherproof

## DIMENSIONS & APPLICATION



Email us [info@icrealtime.net](mailto:info@icrealtime.net) or visit [www.icrealtime.net](http://www.icrealtime.net)

• **European Head Office**  
• IC Realtime,  
• 12 Knockmitten Lane,  
• Western Industrial Estate,  
• Dublin 12,  
• Ireland

• **UK Office**  
• IC Realtime UK  
• Surrey Technology Centre,  
• 40 Occam Road,  
• Guildford GU2 7YG,  
• United Kingdom

• **USA Head Office**  
• IC Realtime, LLC,  
• 3050 N Andrews Ave EXT,  
• Pompano Beach,  
• FL 33064,  
• USA

• **USA West Coast Office**  
• IC Realtime West Coast,  
• 14180 W Van Buren Street,  
• Suite B-105, Goodyear,  
• AZ 85338,  
• USA