

BASE-130-E

Waterproof Junction Box



Features

- Neat & Integrated design
- Material: Aluminum
- IP66 junction box

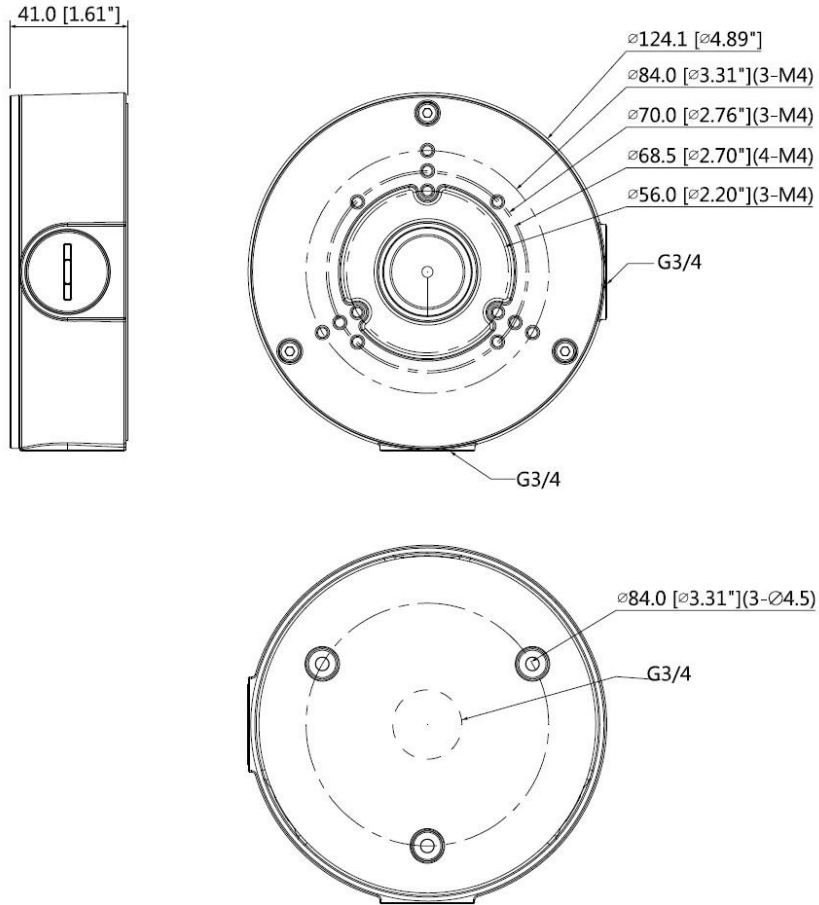
Technical Specifications

Model	BASE-130-E
General	
Material	Aluminum
Dimension	Φ124mmx41mm(φ4.88"x1.61")
Pipe thread	G3/4"
Weight	0.35kg(0.77lb)
Load bearing	3.0kg(6.61lb)
Color	White
Protection	IP66

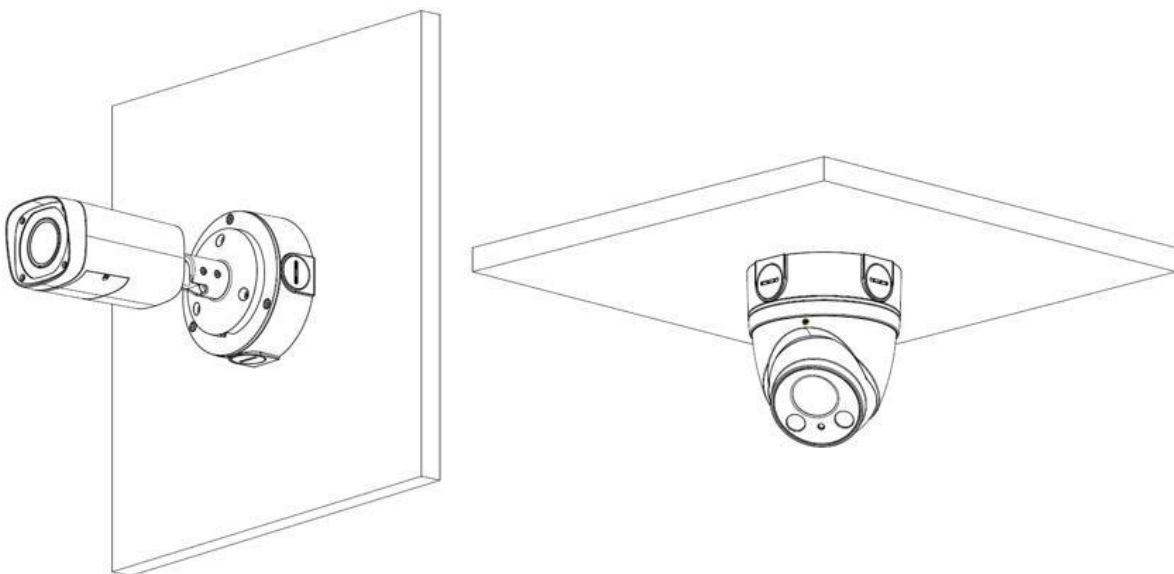
BASE-130-E

Operating temperature	-40°C ~60°C(-40°F ~+140°F)
Humidity	<90% RH
Applicable model	Please see "Accessory Selection"

Dimensions (mm/inch)



Application



BASE-130-E

Package Information

- Water-proof junction box DH-PFA130-E *1
- M4x10 screw *4
- ST4.2x25 screw *3
- Plastic Anchor: 3
- Mounting sticker *1
- S3.0 wrench *1

Rev 001.001 © 2018 IC Realtime. All rights reserved. Design and specifications are subject to change without notice.