

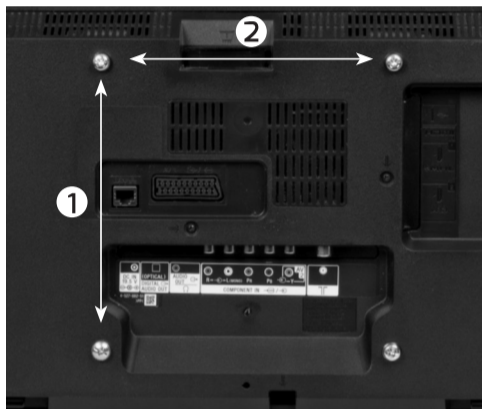


# WARNING

- We have not supplied wall fixings with this product. All walls differ in strength and thickness. Consult a qualified installer or seek advice from your local DIY/hardware store on purchasing suitable wall fixings to safely mount the bracket on the type of wall being used.
- Check the components list and images to check there are no missing or defective parts.
- Never exceed the Maximum Weight Capacity.
- Read these instructions carefully before installation. **If in any doubt about safely installing this product, contact a professional installer for assistance.**
- This product was designed to be installed on wood stud walls and solid concrete/brick walls. When fixing to walls screws/bolts should be fixed into bricks/stone not into mortar courses.
- Make sure the wall will support the combined load of the equipment and hardware. Also check for hidden wiring or plumbing.
- Make sure that the heads of the screws/bolts you buy as wall fastenings are the correct size to hold the bracket securely in position.
- For larger/heavier TVs we recommend that you ask someone to assist you with lifting and positioning your TV.
- This product is suitable for indoor use only.
- Improper installation or use of this product can result in product failure, damage or personal injury.
- This product contains small items that could cause choking if swallowed, so keep these items away from children and pets.
- Appropriate safety equipment and proper tools must be used for installation. Always check manufacturer's operating and safety instructions before using tools and other equipment.

## Wall Mount & VESA Compatibility

- VESA is the standard adopted by most TV manufacturers for wall bracket mounting.
- There are 4 holes on the back of every flat screen TV and the space between the holes is governed by the VESA standard.
- VESA comes in a range of sizes depending on the weight and size of the flat screen TV; sizes 50 x 50mm, 75 x 75mm, 100 x 100mm, 200 x 100mm and so on... are standard. Not all flat screen TVs are compliant, contact the TV manufacturer for assistance if your TV does not appear to comply with VESA.
- To check if your TV or monitor is compliant, look at the rear of the display there should be 4 screw-holes in a square pattern or in larger displays a rectangular shape.



• Measure the distances marked (2) (horizontal) x (1) (vertical) below in mm to find your VESA format.



Technical Support:  
www.philex.com/support

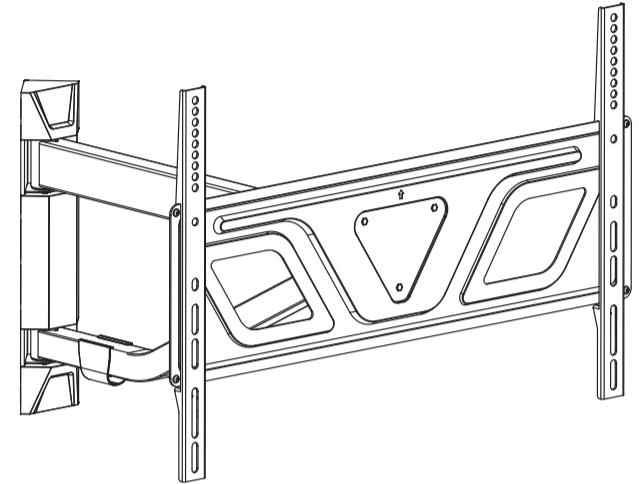
© Philex Electronic Ltd. 2019. V1

# THOR

USER GUIDE - 28099T

32-55"

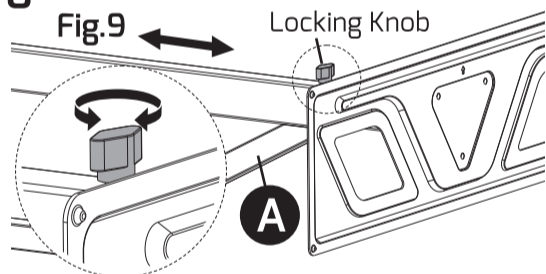
Corner Telescopic TV Wall Mount



- TV Size range: **32-55"**
- Maximum weight capacity: **50kg**
- Mount function: **Tilt and Swivel**
- Wall to TV distance: **610-803mm**
- Compatible with VESA sizes:  
**200 x 200, 300 x 200, 300 x 300, 400 x 200, 400 x 300, 400 x 400,**

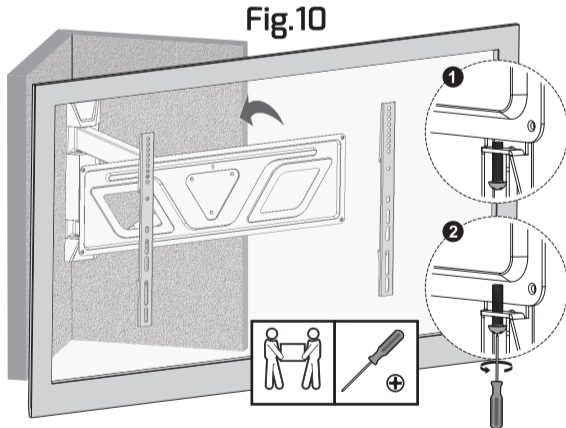
## 6. Adjusting the length of the Arm Bracket

Unscrew / loosen the locking knob on the arm bracket (A) to extend the telescopic arm. When it has been adjusted to the required length tighten the locking knob.



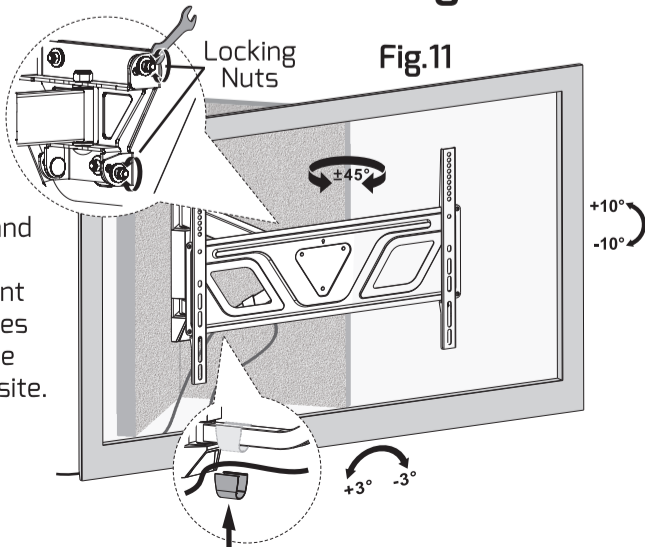
## 7. Mounting the TV on the TV Plate

With two people, lift the TV and hook the attached adaptor brackets onto the TV plate (D). Hold in place and tighten the bottom bolts on the adaptor brackets (E) with a screwdriver to secure the brackets to the TV plate as shown opposite in Fig. 10.



## 8. Tilt Adjustment and Cable Management

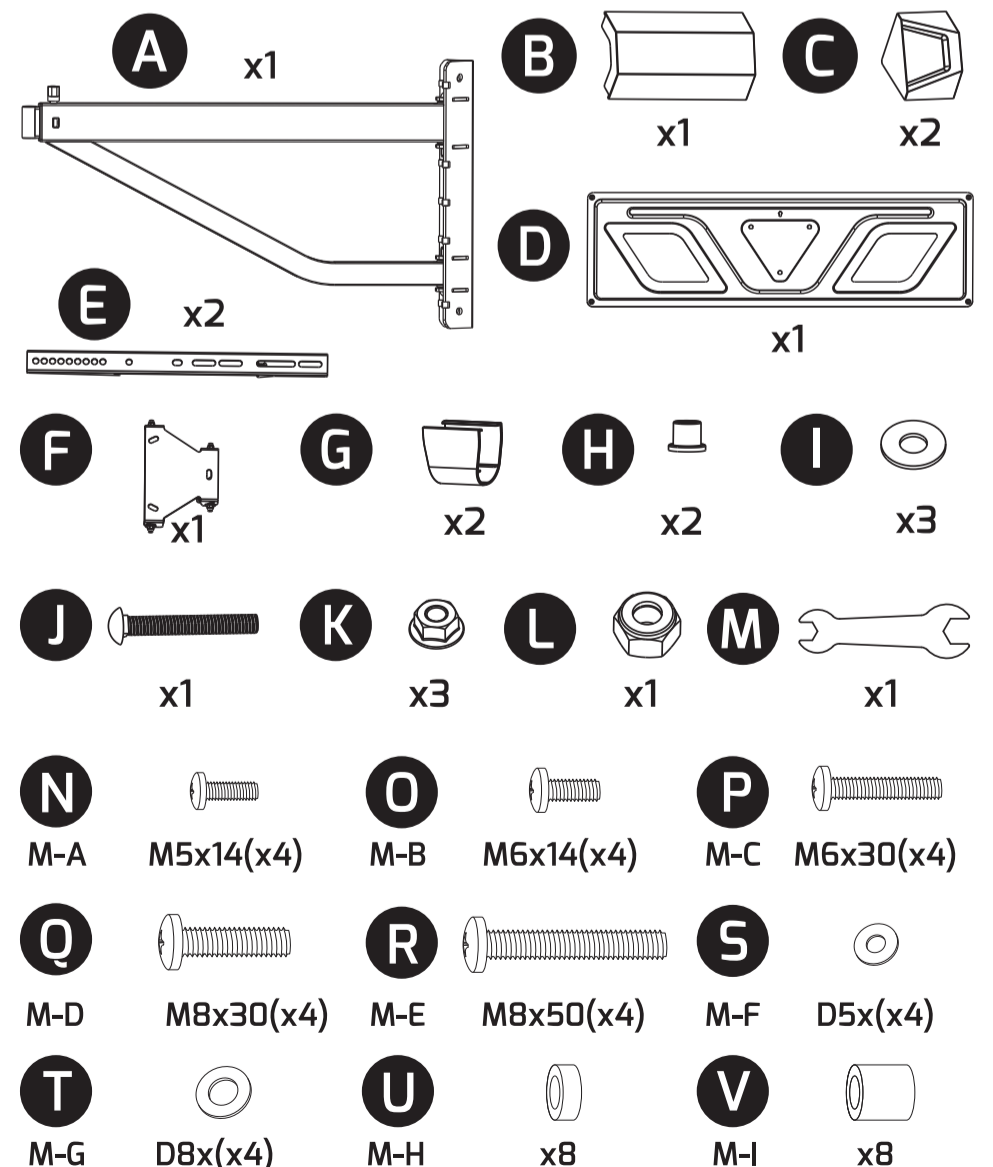
Tilt the screen vertically to the desired position then tighten the locking nuts as shown opposite.



Run your connecting AV and power cables to the TV. Use the cable management clips (G) to attach the cables to the lower section of the main arm as shown opposite.

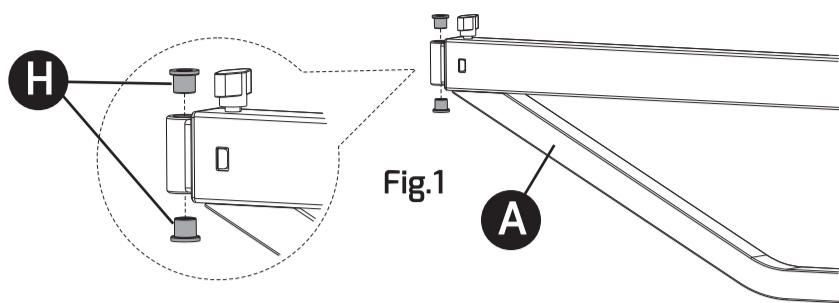
## Components

Before installation check that you have all the components shown here and that none of them are damaged.

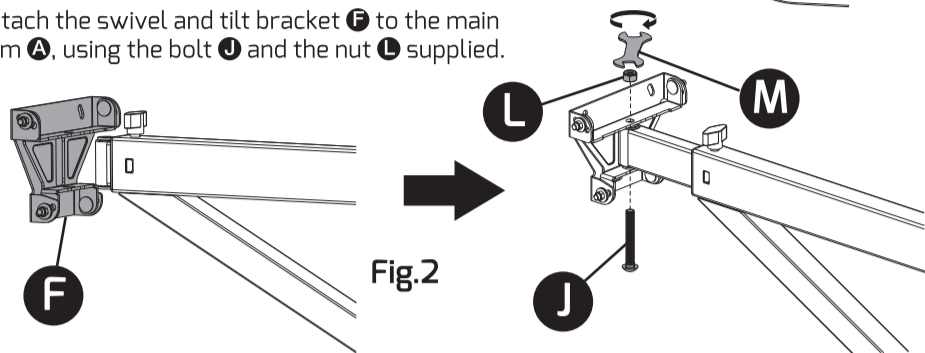


## 1a. Attaching the Swivel Bracket to the Main Arm

Insert the swivel bearings **H** into the end of the main arm **A**.



Attach the swivel and tilt bracket **F** to the main arm **A**, using the bolt **J** and the nut **L** supplied.



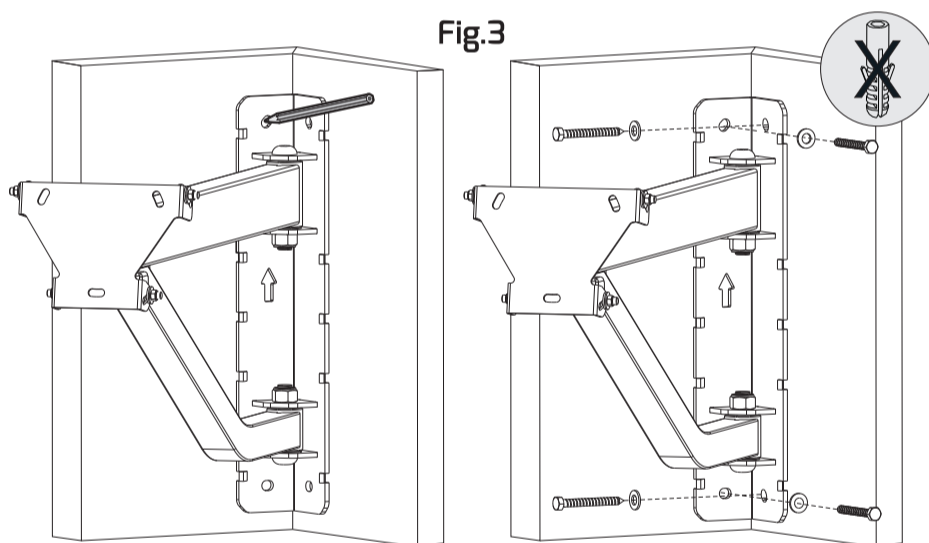
## 2a. Preparing Wall Fixings - Stud Walls

Tools required



Please Note: To mount to a stud wall you will need to make sure that there are upright studs suitably positioned in the chosen corner (you can use a stud detector to check). The corner bracket and arm **A** is attached to the wall using four appropriate screws/bolts as shown in **Fig.3**. Make sure the screws/bolts are suitable for wood and large enough to support the weight of the TV and bracket (if in doubt ask for advice at your local DIY/hardware store and remember to make sure that the heads of the screws/bolts are the correct size to hold the bracket securely in position).

Hold the corner bracket in the position you wish to mount it then mark and drill four holes into the wooden uprights using a spirit level to make sure the bracket is level, see **Fig.3**. Attach the bracket **A** to the wall using the appropriate screws/bolts.

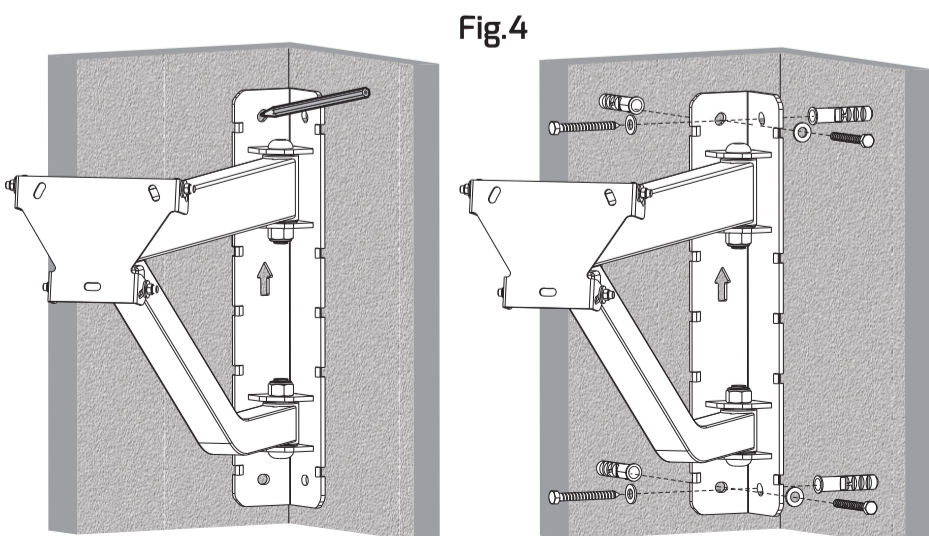


## 2b. Preparing Wall Fixings - Concrete/Brick Walls

Tools required

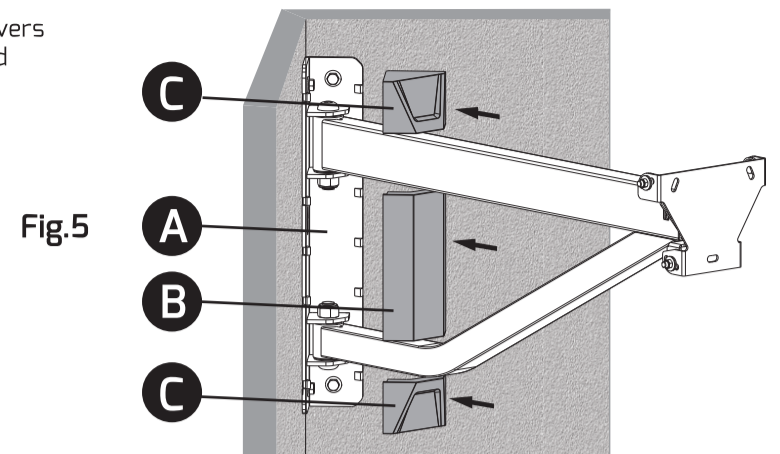


The process is similar to attaching to wood as described above. You will however need to use suitable screws/bolts/wall plugs for the type of wall you are mounting onto (if in doubt ask for advice at your local DIY/hardware store and remember to make sure that the heads of the screws/bolts are the correct size to hold the bracket securely in position). When fixing to walls screws/bolts/wall plugs should be fixed into bricks/stone not into mortar courses.



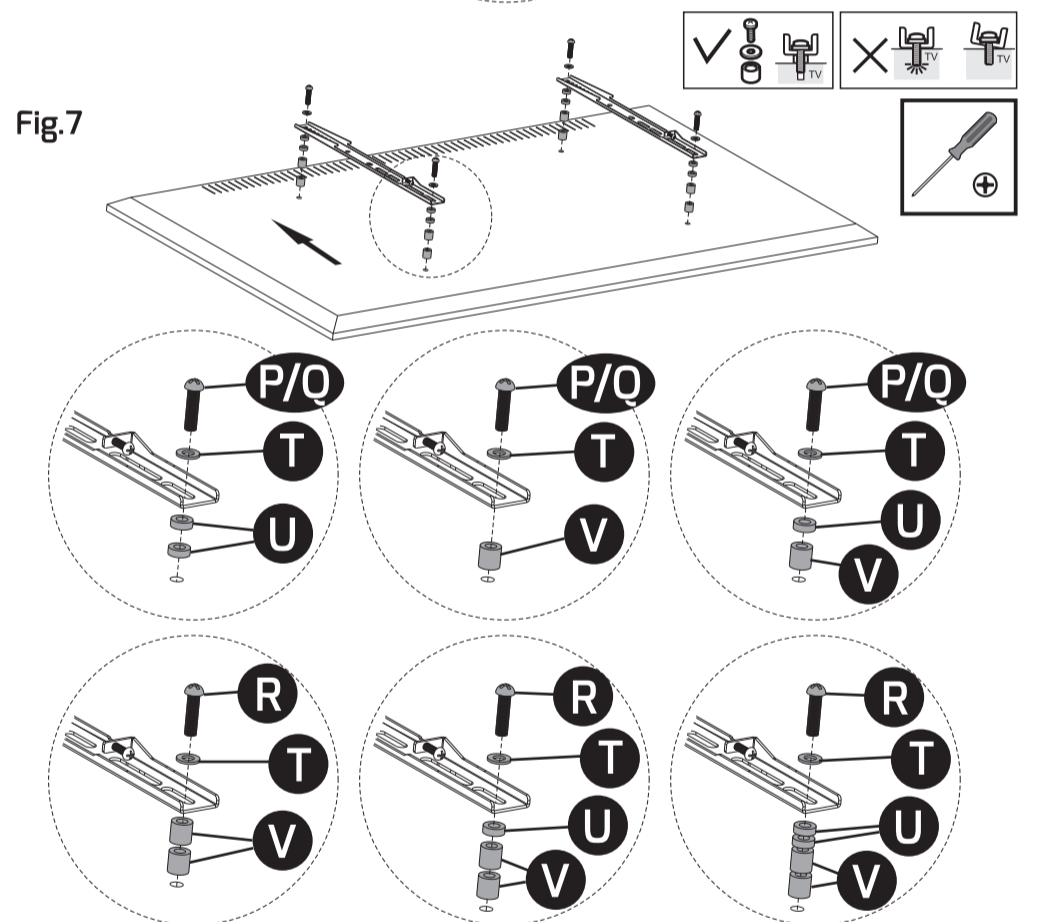
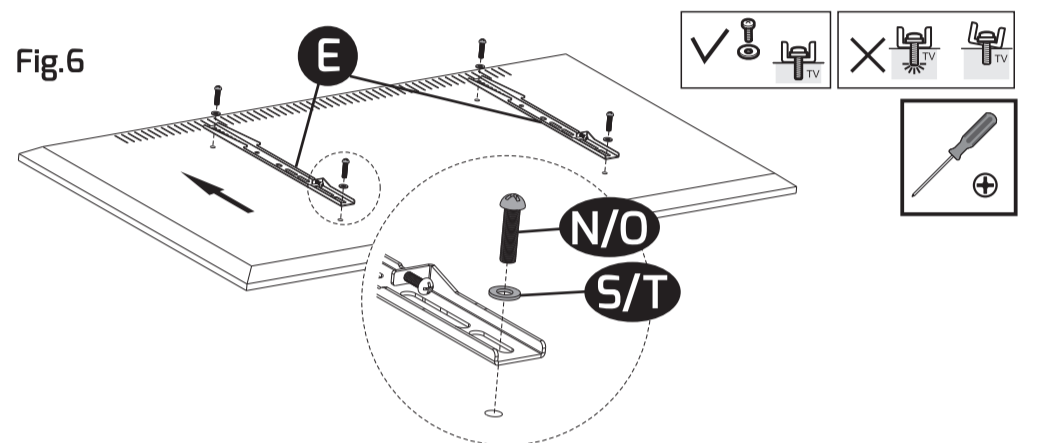
## 3. Attaching the Bracket Covers

Attach the bracket covers **B** & **C** to the mounted arm bracket **A**.



## 4. Attaching the Adaptor Brackets to the TV

Select the correct size bolts to fit the VESA holes for your TV **N/O/P/Q/R**. Attach the adaptor brackets **E** to the back of the TV by lining up the VESA holes and using bolts **N/O/P/Q/R** the washers **S/T** and spacers **U/V** (if required) to fix the TV securely to the adaptor brackets.



## 5. Attaching the TV plate to the Swivel Bracket

Use the 3 bolts **I**, washers **J** and nuts **K** to attach the TV plate **D** to the swivel bracket **F**. Make sure the TV plate is level before tightening the nuts **K** using the spanner **M** supplied.

